



PREDATOR[®]

TECHNICAL GUIDE

R-410A

ZF SERIES

6.5 - 12.5 TON

60 Hertz



ZF 6.5 THROUGH 10 TON



ZF12.5 TON

Description

ASHRAE 90.1 COMPLIANT

YORK[®] Predator[®] units are convertible single packages with a common footprint cabinet and common roof curb for all 6.5 through 12.5 ton models. All units have two compressors with independent refrigeration circuits to provide 2 stages of cooling. The units were designed for light commercial applications and can be easily installed on a roof curb, slab, or frame.

All Predator[®] units are self-contained and assembled on rigid full perimeter base rails allowing for 3-way forklift access and overhead rigging. Every unit is completely charged, wired, piped, and tested at the factory to provide a quick and easy field installation.

Predator[®] units in all tonnage sizes are convertible between side airflow and down airflow, with corresponding economizer if economizer option is desired.

Predator[®] units are available in the following configurations: cooling only, cooling with electric heat, and cooling with gas heat. Electric heaters are available as factory-installed options or field-installed accessories.

All units provide constant supply air volume. A variable air volume (VAV) option, which features a variable frequency drive (VFD), is available on 6.5 through 12.5 ton models.

Tested in accordance with:

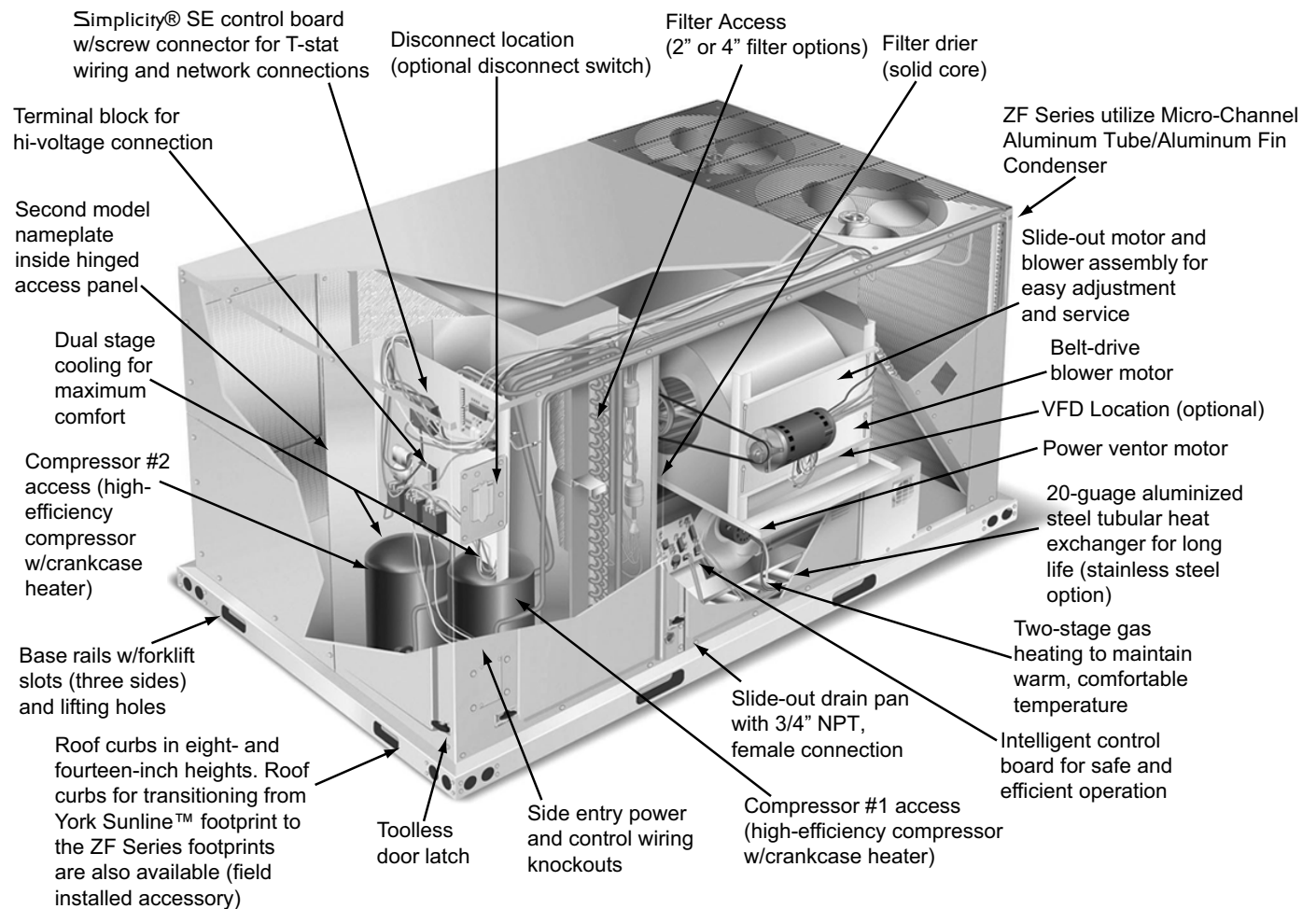


Table of Contents

Description	1
Table of Contents	2
Component Location	2
Nomenclature	3
Prior Nomenclature	4
Features and Benefits	5
Guide Specifications	11
Physical Data	15
Capacity Performance	18
Airflow Performance	28
Sound Performance	36
Electrical Data	37
Typical Wiring Diagrams	45
Weights and Dimensions	61
Economizer Options	69

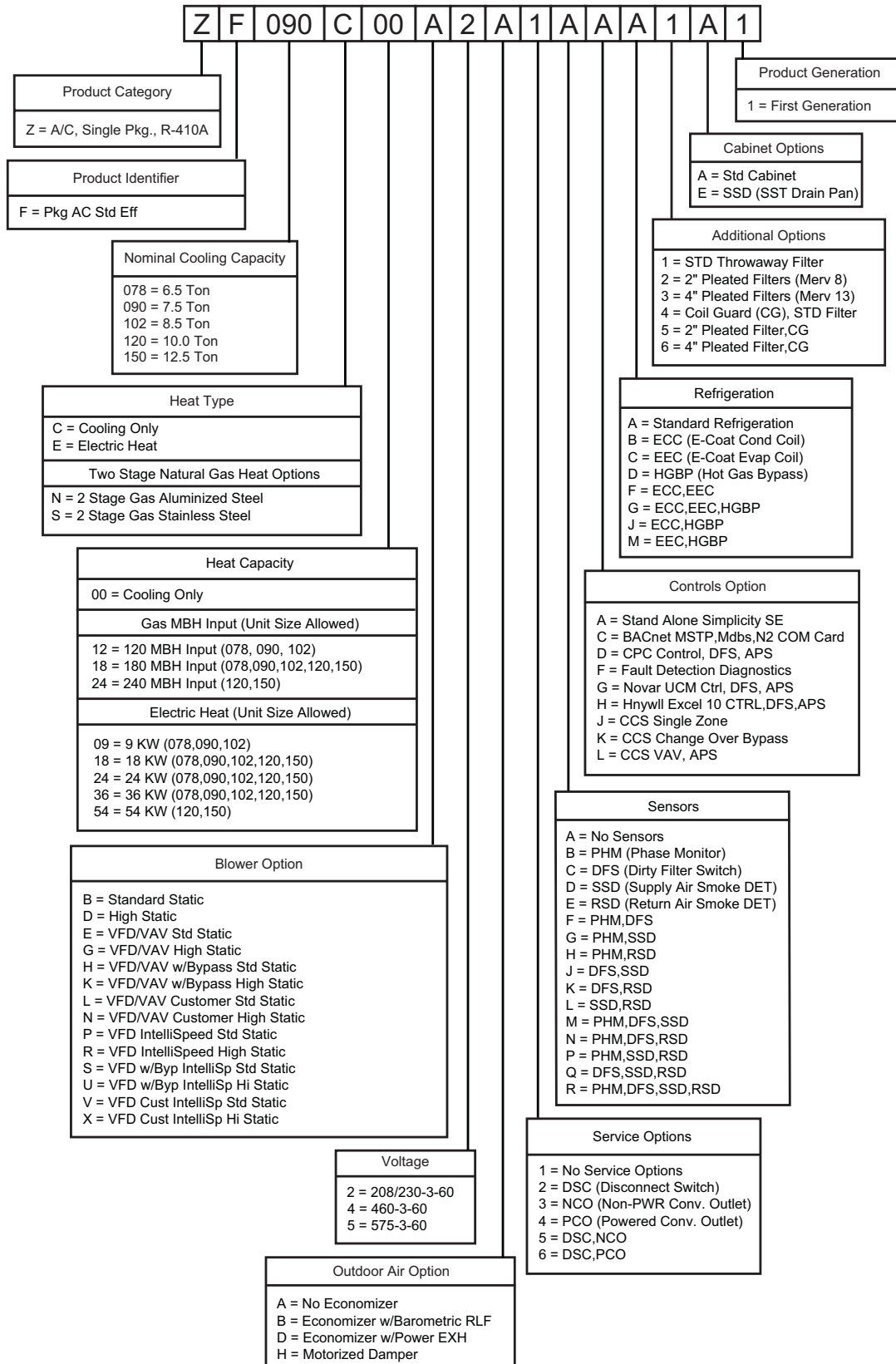
Component Location

Cooling With Gas Heat



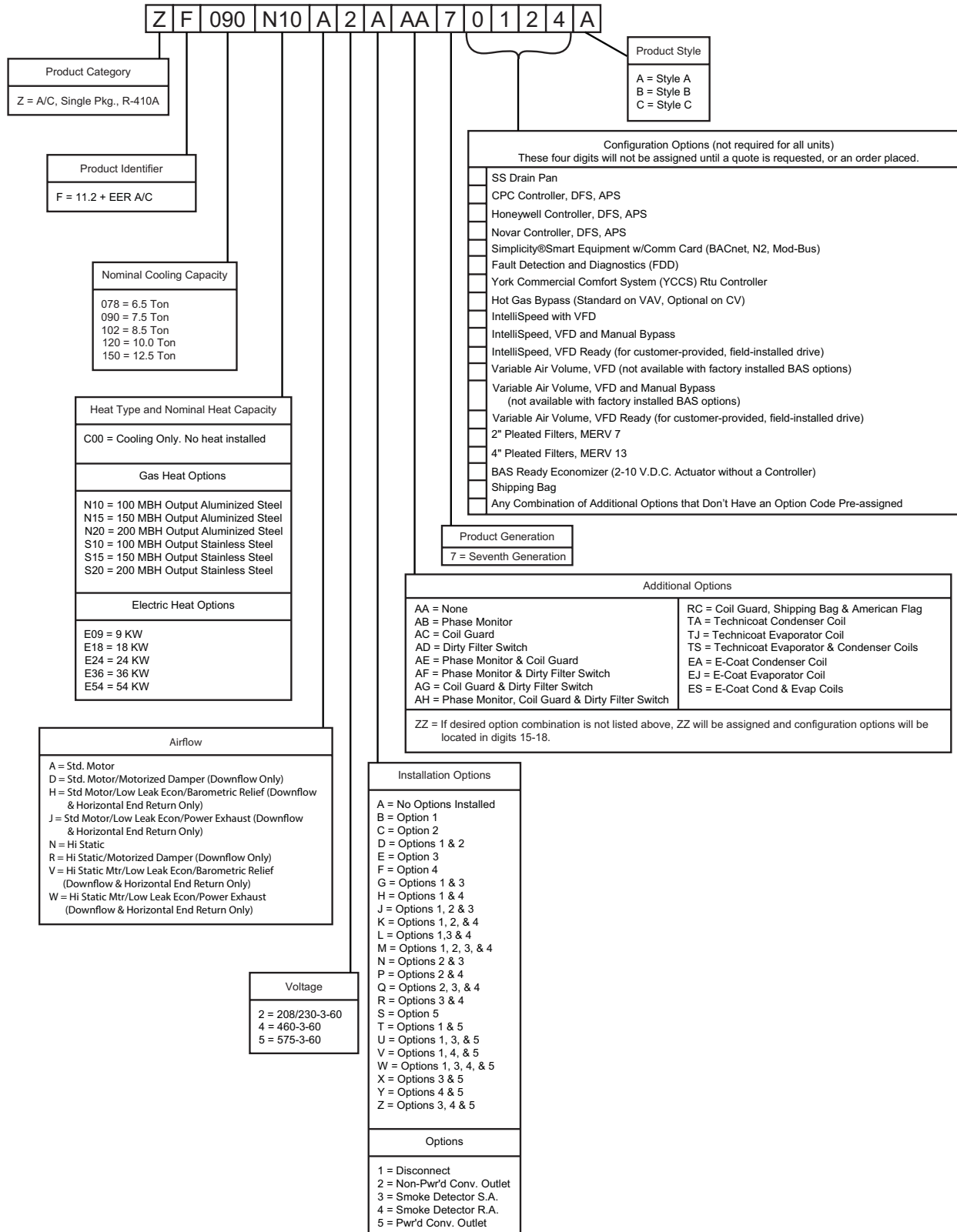
Nomenclature

6.5-12.5 Ton York® Model Number Nomenclature



Prior Nomenclature

6.5-12.5 Ton York® Model Number Nomenclature
For Units Produced Before 2-01-2016



Features and Benefits

Standard Features

- **High Efficiency** – High efficiency units reach as high as 11.2 EER. Gas/electric units have electronic spark ignition and power vented combustion with steady state efficiencies of 80%. These efficiencies exceed all legislated minimum levels and provide low operating costs.
- **Service Friendly** - The Predator® incorporates a number of key features for ease of serviceability.

Service time is reduced through the use of hinged, toolless panels. Such panels provide access to frequently inspected components and areas, including the control box, compressors, filters, indoor motor & blower, and the heating section. The panels are screwed in place at the factory to prevent access by children or other unauthorized persons. It is recommended that the panels be secured with screws once service is complete.

Service windows have been placed in both condenser section walls. Rotation of the cover allows easy access to the condenser coils for cleaning or inspection.

The Simplicity® SE control board provides alarm messages to help quickly identify any faults.

All units use the same standard filter size. This standardization removes any confusion on which filter sizes are needed for replacement.

The non-corrosive drain pan slides out of the unit to permit easy cleaning. The drain pan is accessed by removing the drain pan cover plate on the rear of the unit. Once the plate is removed, the drain pan slides out through the rear of the unit.

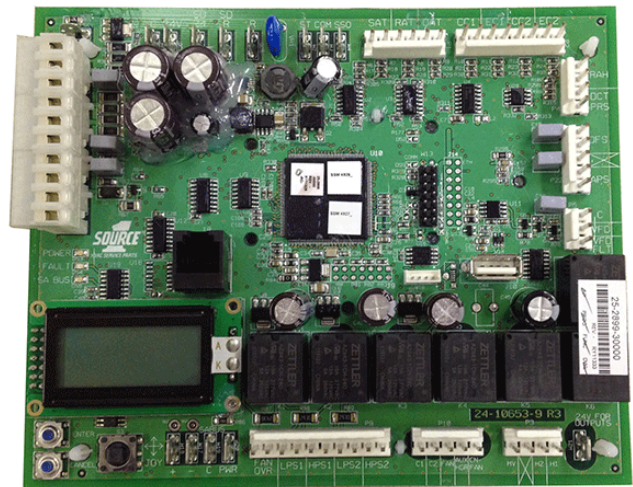
All Predator® units have a second model nameplate located inside the control access door. This is to prevent deterioration of the nameplate through weathering.
- **Coil Technology** – ZF condensers utilize Micro-Channel “all aluminum” condensers which provide improved heat transfer capabilities and reduced charge volumes.
- **Environmentally Aware** - For improved Indoor Air Quality, a combination of aluminum foil faced and elastomeric rubber insulations are used exclusively throughout the units.
- **Balanced Heating** – The Predator® offers “Ultimate Heating Comfort” with a balance between 1st and 2nd stage gas heating. The first stage of a gas heat Predator® unit provides 60% of the heating capacity. Balanced heating allows the unit to better maintain desired temperatures.
- **Convertible Airflow Design** – The side duct openings are covered when they leave the factory. If a side supply/return is desired, the installer simply removes the two side duct covers from the outside of the unit and installs them over the down shot openings. No panel cutting is required. Convertible airflow design allows maximum field flexibility and minimum inventory.
- **System Protection** - Suction line freezestats are supplied on all units to protect against loss of charge and coil frosting when the economizer operates at low outdoor air temperatures while the compressors are running. Every unit has solid-core liquid line filter-driers and high and low-pressure switches. Internal compressor protection is

standard on all compressors. Crankcase heaters are standard on reciprocating compressors. Scroll compressors do not require crankcase heaters. Phase Monitors are standard on units with scroll compressors. This accessory monitors the incoming power to the unit and protects the unit from phase loss and reversed phase rotation.

- **Advanced Controls** - Simplicity® SE control boards have standardized a number of features previously available only as options or by utilizing additional controls.

⚠ CAUTION

The Simplicity® SE control board used in this product will effectively operate the cooling system down to 0°F when this product is applied in a comfort cooling application for people. An economizer is typically included in this type of application. When applying this product for process cooling applications (computer rooms, switchgear, etc.), please reference applications bulletin AE-011-07 or call the applications department for Unitary Products @ 1-877-UPG-SERV for guidance. Additional accessories may be needed for stable operation at temperatures below 30°F.



- **Units will come with the new state of the art Simplicity SE (Smart Equipment) control system.** The new unit control incorporates the best of the already proven Simplicity™ unitary controls and creates a more robust, intelligent control. The goal of this control is to utilize cutting edge technology making the equipment easier to install, operate, and service. All units are Factory commissioned, configured, and run tested.
- **Versatile** - The Simplicity SE control can be configured to use with a standard thermostat (easy to connect screw terminals), A zone sensor, or can be setup to communicate with multiple BAS communication protocols to integrate with building automation systems.
- **Reduce field installed complexity** - Each unit will come equipped with factory installed supply air, return air, and

outdoor air temperature sensors providing key temperature readings thus reduce field installed complexity.

- **On-board USB Port** - The new control comes with a long list of features including data logging, current and previous system faults and software update capabilities using the on board USB port and common flash drive. Energy use monitoring capabilities allow custom tailoring to allow a system to work more efficiently at all times and occupancy levels. Self test and start-up reports also available from the board VIA the USB port.
- **Embedded LCD Display** - The board has a easy to read, built-in LCD display and easy to use navigation joystick and buttons allowing the user to quickly navigate the menus displaying unit status, options, current function, supply, return and outdoor temperatures, fault codes and other information.
- **Safety Monitoring** - The control monitors the outdoor, supply, and return air temperatures and the high and low pressure switch status on the independent refrigerant circuits. On units with heating the gas valve and high temperature limit switches are monitored on gas and electric heating units. The control also monitors the voltage supplied to the unit and will protect the unit if low voltage due to a brown out, or other electrical issue occurs.
- **Low Ambient** - An integrated low-ambient control allows units to operate in the cooling mode down to 0°F outdoor ambient without additional components or intervention. Optionally, the control board can be programmed to lockout the compressors when the outdoor air temperature is low or when free cooling is available.
- **Anti-Short Cycle Protection** - To aid compressor life, an anti-short cycle delay is incorporated into the standard control. Compressor reliability is further ensured by programmable minimum run times. For testing, the anti-short cycle delay can be temporarily overridden with the push of a button.
- **Fan Delays** - Fan on and fan off delays are fully programmable. Furthermore, the heating and cooling fan delay times are independent of one another. All units are programmed with default values based upon their configuration of cooling and/or heating capacity.
- **Nuisance Trip Protection and Three Strikes** - To prevent nuisance calls, the control board uses a three times, you're out philosophy. The high, low-pressure switch, anti-freeze protection, low voltage or heating high limit must trip three times within two hours before the unit control board will lock out the associated compressor. An alarm message will be displayed on the LCD screen.
- **Lead-Lag** - An integrated Lead-Lag option allows equal run time hours on all compressors, thereby extending the life of all compressors. This option is selectable on the unit control board.
- **Low Limit Control (LLC)** - To prevent the supply air from dropping below a specified set point, when there is a demand for cooling during cold outside conditions. (Programmable Set point)

- **Reliable** - From the beginning - All units undergo computer automated testing before they leave the factory. Units are tested for refrigerant charge and pressure, unit amperage, and 100% functionality. For the long term - All units are painted with a long lasting, powder paint that stands up over the life of the unit. The paint used has been proven by a 1000 hour salt spray test.
- **Full Perimeter Base Rails** - The permanently attached base rails provide a solid foundation for the entire unit and protect the unit during shipment. The rails offer rigging holes so that an overhead crane can be used to place the units on a roof.
- **Easy Installation** - Gas and electric utility knockouts are supplied in the unit underside as well as the side of the unit. Utility connections can be made quickly and with a minimum amount of field labor. All units are shipped with 2" throw-away filters installed.
- **Wide Range of Indoor Airflows** - All supply air blowers are equipped with a belt drive that can be adjusted to meet the exact requirements of the job. A high static drive option is available for applications with a higher CFM and/or static pressure requirement.
- **Warranty** - All models include a 1-year limited warranty on the complete unit. Compressors and electric heater elements each carry a 5-year warranty. Aluminized steel (10 yr.) and stainless steel tubular heat exchangers carry a 15- year warranty.

Factory Installed Options

YORK® offers several equipment options factory installed, for the Predator® line.

- **Optional Factory Installed Economizers** - Predator units offer a variety of optional factory installed economizers with low leak dampers. The outdoor air dry bulb sensor enables economizer operation if the outdoor air temperature is less than the set point of the economizer logic module. See economizer options section to determine the correct economizer for your application.
- **Down flow / End Return Economizers (with barometric relief and fresh air hood)** - All units offer a variety of optional factory installed down flow economizers that are shipped, installed and wired with low leak dampers designed to meet ASHRAE 90.1-2010, AMCA 511 Class 1A damper, and the International Energy Conservation Code (IECC) certification requirements by achieving leakage rates of 3 cfm/sq. ft. at 1" of static pressure. Each economizer goes through a rigorous 60,000 cycle test. Dry bulb, single enthalpy, and dual enthalpy (with field installed kit) can be selected. The economizer has spring return, fully modulating damper actuators and is capable of introducing up to 100% outdoor air. As the outdoor air intake dampers open, the return air dampers close. The changeover from mechanical refrigeration to economizer operation is regulated by the outdoor air dry bulb temperature or the outdoor air enthalpy input. The optional (field installed) single or dual enthalpy kits provide additional inputs to monitor outdoor air/ or return air humidity and temperature for true enthalpy control. The installer needs only to assemble the outdoor air hood,

attach the enthalpy control the hood and mount the hood to the unit (Hood and control are provided).

- **Power Exhaust** - This factory option allows down flow or horizontal end return economizer operation. **The power exhaust must be removed from the unit and mounted in the horizontal end return duct work when applying the product in the horizontal, end return configuration.**
- **Motorized Outdoor Air Damper** - The motorized outdoor air damper includes a slide-in/plug-in damper assembly with an outdoor air hood and filters. The outdoor air dampers open to the preset position when the indoor fan motor is energized. The damper has a range of 0% to 100% outdoor air entry.
- **Alternate Indoor Blower Motor** - For applications with high static restrictions, units are offered with optional indoor motors that provide higher static output and/or higher airflow, depending upon the installer's needs.
- **Variable Air Volume (VAV; 6.5 through 12.5 ton, only** - A factory-installed variable frequency drive (VFD), mounted in the Blower Access compartment, is used to control the speed of the indoor blower motor in order to maintain a constant static pressure in the supply duct. A duct pressure transducer is provided with the unit. The drive comes completely wired and pre-programmed from the factory.

An optional, factory-installed manual bypass switch available with factory-installed VFD can be found in the Blower Motor Access compartment. The switch can be used to either route power to the VFD for modulating control of the blower motor, to bypass the drive and operate the motor at full speed, or to power the drive (and not the motor) for diagnostic purposes.

VAV is not available with the factory-installed 3rd. party BAS controllers. VAV is only factory installed with the Simplicity SE Controller.

A 'VFD-ready' option provides the provisions for a customer-installed drive. The unit comes with a mounting bracket installed in the Blower Access compartment which may accommodate other vendor's drives depending on their size. In order to utilize the unit's mounting bracket, the maximum recommended drive dimensions are limited to approximately 9" H x 5" W x 7.5" D.

If the drive will not fit in the allotted space, then it will have to be mounted elsewhere; either within the building on a perpendicular wall which is not subjected to excessive temperature, vibration, humidity, dust, corrosive gas, explosive gas, etc., or within an appropriate enclosure rated for outside installation to safeguard against moisture, dust and excessive heat. A terminal block located in the control box is provided for field connection of the VFD controls.

- **IntelliSpeed™ Supply Fan Control Option (ASHRAE 90.1 compliant, section 6.4.3.10)** - Units configured with the **IntelliSpeed™** Supply Fan Option will contain a VFD for multi-speed supply fan operation. This option allows the supply fan RPM to vary based on the number of compressors or heating stages energized. The

economizer's minimum position will also be configurable to vary based on the supply fan VFD frequency output.

- **Aluminized Steel Gas Heat Exchanger** - For applications in non-corrosive environments.
- **Stainless Steel Gas Heat Exchanger** - For applications in corrosive environments, this option provides a full stainless steel heat exchanger assembly.
- **Stainless Steel Drain Pan** - An optional rust-proof stainless steel drain pan is available to provide years of trouble-free operation in corrosive environments.
- **Electric Heaters** - The electric heaters range from 9kW to 54kW and are available in all the voltage options of the base units. All heaters are dual staged. All heaters are intended for single point power supply.
- **Disconnect Switch** - For gas heat units and cooling units with electric heat, a HACR breaker sized to the unit is provided. For cooling only units, a switch sized to the largest electric heat available for the particular unit is provided. Factory installed option only.
- **Convenience Outlet - (Non-Powered/Powered)** - This option locates a 120V single-phase GFCI outlet with cover, on the corner of the unit housing adjacent to the compressors. The "Non-powered" option requires the installer to provide the 120V single-phase power source and wiring. The "Powered" option is powered by a stepdown transformer in the unit. Factory installed option only.
- **Smoke Detectors** - The smoke detectors stop operation of the unit and provide a fault message to the control board. Smoke detectors are available for both the supply and/or return air configurations.
- **Filters** - 2" Pleated MERV 8 or 4" Pleated MERV 13 are available to meet LEED requirements. A 2" Throwaway is shipped as standard.

WARNING

Factory-installed smoke detectors may be subjected to extreme temperatures during "off" times due to outside air infiltration. These smoke detectors have an operational range of -4 °F to 158°F. Smoke detectors installed in areas that could be outside this range will have to be relocated to prevent false alarms.

- **Phase Monitors** - Designed to prevent unit damage. The phase monitor will shut the unit down in an out-of phase condition. **(Standard on units with Scroll Compressors.)**
- **Coil Guard** - Customers can purchase a coil guard kit to protect the condenser coil from damage. Additionally, this kit stops animals and foreign objects from entering the space between the inner condenser coil and the main cabinet. This is not a hail guard kit.
- **Dirty Filter Switch** - This kit includes a differential pressure switch that energizes the fault light on the unit thermostat, indicating that there is an abnormally high pressure drop across the filters. Factory installed option or field installed accessory.

- **E-Coat Condenser Coils** - The condenser coils are coated with an epoxy polymer coating to protect against corrosion.
- **E-Coat Evaporator Coils** - The evaporator coils are coated with an epoxy polymer coating to protect against corrosion.
- **Hot Gas Bypass** - Allows operation during low load conditions while avoiding coil frosting and damage to compressor. When suction pressure falls below valve setpoint, the valve modulates hot gas to the inlet of the evaporator.
HGBP is standard on all units with VAV, and optional with constant-volume units.

Control Options

- **Simplicity® SE with Communication Option Control** - The York® Simplicity® SE with Communication Option Control is factory installed. It includes all the features of the Simplicity® SE control with an additional gateway to BACnet MS/TP (programmable to Modbus or N2 protocols).
- **FDD (Fault Detection and Diagnostics) - Refrigerant side** A factory installed control system option on the commercial equipment that constantly monitors refrigerant circuit pressures, refrigerant circuit temperatures, as well as the environmental temperatures and humidity via multiple sensor inputs.
 - Provides a building owner, technician or contractor with the operational characteristics of the RTUs entire refrigerant circuit to ensure the unit is functioning at its specified performance level.
 - Provides alarms if the unit is not functioning optimally.
 - Remotely accessible via the Mobile Access Portal (MAP) gateway as well as scrolled on the UCB LCD screen.
- **Novar® BAS Control** - The Novar® building automation system controller is factory installed. Includes supply air sensor, return air sensor, dirty filter indicator switch, and air proving switch.
- **CPC BAS Control** - The Computer Process Controls Model 810-3060 ARTC Advanced Rooftop building automation system controller is factory installed. Includes supply air sensor, return air sensor, with optional dirty filter indicator switch and air proving switch.
- **Honeywell BAS Control** - The Honeywell W7750C building automation system controller is factory installed. Includes air supply sensor, return air sensor, with optional dirty filter indicator switch, and air proving switch.
- **York Commercial Comfort System (YCCS)** - Provides rooftop system integration for YCCS single zone and change-over bypass systems.

Field Installed Accessories

YORK® offers several equipment accessories for field installation, for the Predator® line.

- **Down flow and End Return Economizers (with fresh air hood and barometric relief)** - All units offer a variety of optional factory installed down flow economizers that are shipped, installed and wired with low leak dampers designed to meet ASHRAE 90.1-2010, AMCA 511 Class 1A damper, and the International Energy Conservation Code (IECC) certification requirements by achieving leakage rates of 3 cfm/sq. ft. at 1" of static pressure. Each economizer goes through a rigorous 60,000 cycle test. Dry bulb, single enthalpy, and dual enthalpy (with field installed kit) can be selected. The economizer has spring return, fully modulating damper actuators and is capable of introducing up to 100% outdoor air. As the outdoor air intake dampers open, the return air dampers close. The changeover from mechanical refrigeration to economizer operation is regulated by the outdoor air dry bulb temperature or the outdoor air enthalpy input. The dual enthalpy kit provides a second input used to monitor the return air (field installed). The installer needs only to assemble the outdoor air hood, attach the enthalpy control the hood and mount the hood to the unit (Hood and control are provided).
- **Single or Dual Enthalpy Control, Accessories** - These kits contain the required components to convert a dry bulb economizer to a single enthalpy and/or dual enthalpy economizer.
- **Barometric Relief Damper** - Zero to 100% capacity barometric relief dampers for use with horizontal flow, or field installed economizers.
- **Power Exhaust** - This accessory installs in the unit with a down flow or horizontal end return economizer. Power exhaust plugs into the connector in the unit bulkhead. **User must purchase the 1EH0408 barometric relief and hood kit when applying the product in a horizontal flow application. The power exhaust must be mounted in the horizontal end return ductwork.**
- **Manual Outdoor Air Damper** - Like the motorized outdoor air damper, each manual outdoor air damper includes a slide-in damper assembly with an outdoor air hood and filters. Customers have a choice of dampers with ranges of 0% to 100% or 0% to 35% outdoor air entry.
- **Motorized Outdoor Air Damper** - The motorized outdoor air damper includes a slide-in/plug-in damper assembly with an outdoor air hood and filters. The outdoor air dampers open to the preset position when the indoor fan motor is energized. The damper has a range of 0% to 100% outdoor air entry. Factory installed option or field installed accessory.
- **Smoke Detectors** - The smoke detectors stop operation of the unit by interrupting power to the control board if smoke is detected within the air compartment.
- **CO₂ Sensor** - Senses CO₂ levels and automatically overrides the economizer when levels rise above the preset limits.
- **Dirty Filter Switch** - This kit includes a differential pressure switch that energizes the fault light on the unit thermostat, indicating that there is an abnormally high pressure drop across the filters.
- **Coil Guard** - Field installed decorative wire coil guard.
- **Hail Guard** - This kit includes a sloped hood which installs over the outside condenser coil and prevents damage to the coil fins from hail strikes. Field installed accessory only.

- **Flue Exhaust Extension Kit** - In locations with wind or weather conditions which may interfere with proper exhausting of furnace combustion products, this kit can be installed to prevent the flue exhaust from entering nearby fresh air intakes.
- **Gas Heat High Altitude Kit** - This kit converts a gas heat unit to operate at high altitudes, 2,000 to 6,000 feet. Conversion kits are available for natural gas and propane.
- **Gas Heat Propane Conversion Kit** - This kit converts a gas-fired heater from natural gas to propane. It contains the main burner orifices and gas valve replacement springs.
- **Gas Piping Kit** - Contains pipe nipples, fittings and gas cock required for gas supply connection with external shut off.
- **Electric Heaters** - The electric heaters range from 9 kW to 54kW and are available in all the voltage options of the base units. The 54kW/208-240 volt, Field-installed heater kit is not available with VAV units due to a lack of space to accommodate the heater's fuse block accessory. Cooling units include an adapter panel for easy installation of the electric heaters. Necessary hardware and connectors are included with the heaters. All heaters are intended for single point power supply.
- **Metal Frame Filter Kit** - Metal frame with polyester filter medium.
- **Permanent Filters** - Permanent filters are available.
- **Roof Curbs** - The roof curbs have insulated decks and are shipped disassembled. The roof curbs are available in 8" and 14" heights. For applications with security concerns, burglar bars are available for the duct openings of the roof curbs.
- **Roof Curb Transition** - Single Piece Adapter (10" High) - Roof curbs for transitioning from Sunline™ units to Predator® units. Fits 7.5 to 12.5 Sunline™ roof curbs only.
- **Burglar Bars** - Mount in the supply and return openings to prevent entry into the duct work.
- **Thermostat** - The units are designed to operate with 24-volt electronic and electro-mechanical thermostats. All units (with or without an economizer) operate with two-stage heat/two-stage cool or two-stage cooling only thermostats, depending upon unit configuration.

Accessories**Field Installed Accessories - Non-Electrical**

MODEL	VOLTAGE	DESCRIPTION	WHERE USED
1BD0408	All	Burglar Bars, Downflow	All Cabinets
1CG0419	All	Coil Guard	(Electric / Electric Models), 50" Tall Standard Cabinets
1CG0420	All	Coil Guard	(Gas / Electric Models), 50" Tall Standard Cabinets
1CG0427	All	Coil Guard	(Electric / Electric Models), 42" Tall Cabinets
1CG0428	All	Coil Guard	(Gas / Electric Models), 42" Tall Cabinets
1HG0411	All	Hail Guard Kit	All Tall (50") Standard Cabinets, (Excludes 12.5T "V" cabinets)
1HG0415	All	Hail Guard Kit	All Short (42") Standard Cabinets
1FE0411	All	Flue Exhaust Extension Kit	All Cabinets
1FF0414	All	2" only Metal Filter Frame Kit	All Tall 50" Cabinets
1FF0415	All	2" only Metal Filter Frame Kit	All Tall 42" Cabinets
1FL0402	All	Permanent 2" only Filter Kit Includes (4) Four Filters)	All Tall 50" Cabinets
1FL0423	All	Permanent 2" only Filter Kit (Includes (4) four Filters)	All Tall 42" Cabinets
1GP0405	All	Gas Piping Kit	All Cabinets
1HA0442	All	High Altitude Kit for Natural Gas	All 6 - 12T Cabinets
1HA0443	All	High Altitude Kit for Propane	All 6 - 12T Cabinets
1NP0442	All	Propane Conversion Kit	All 6 - 12T Cabinets
1RC0470	All	Roof Curb, 8" Height	All Cabinets
1RC0471	All	Roof Curb, 14" Height	All Cabinets
1RC0472	All	Roof Curb, Transition (7.5 T thru 12.5T Sunline to Predator 3- 12T)	All Cabinets
1WC0412	All	Wooden Crate for extra protection during shipping and handling	Standard Cabinets Only (not applicable to units 119" in length)

Field Installed Accessories - Electric Heat

MODEL	VOLTAGE	DESCRIPTION	WHERE USED
2TP04520925	230	9kW Electric Heat	All 50" Cabinet 6.5 and 8.5 Ton Models
2TP04520946	460		
2TP04520958	575		
2TP04531825	230	18kW Electric Heat	All 50" Cabinet 6.5, 8.5, 10 and 12.5 Ton Models
2TP04531846	460		
2TP04521858	575		
2TP04532425	230	24kW Electric Heat	All 50" Cabinet 6.5, 8.5, 10 and 12.5 Ton Models
2TP04532446	460		
2TP04522458	575		
2TP04533625	230	36kW Electric Heat	All 50" Cabinet 6.5, 8.5, 10 and 12.5 Ton Models
2TP04533646	460		
2TP04523658	575		
2TP04525425	230	54kW Electric Heat	All 50" 10 and 12.5 Ton Models
2TP04525446	460		
2TP04525458	575		
2TP04540925	230	9kW Electric Heat	All 42" Cabinet 6.5, 7.5 and 8.5 Ton Models
2TP04540946	460		
2TP04540958	575		
2TP04541825	230	18kW Electric Heat	All 42" 6.5, 7.5 and 8.5 Ton Models
2TP04541846	460		
2TP04541858	575		
2TP04542425	230	24kW Electric Heat	All 42" Cabinet 6.5, 7.5 and 8.5 Ton Models
2TP04542446	460		
2TP04542458	575		
2TP04543625	230	36kW Electric Heat	All 42" Cabinet 6.5, 7.5 and 8.5 Ton Models
2TP04543646	460		
2TP04543658	575		

Accessories (Continued)**Field Installed Accessories - Fresh Air**

MODEL	VOLTAGE	DESCRIPTION	WHERE USED
1FA0413	All	Manual Outside Air Damper 0-35%, Downflow	All Cabinets
1FA0414	All	Manual Outside Air Damper 0-100%, Downflow	All Cabinets
1EH0408	All	Barometric Relief Kit for Power Exhaust, Horizontal Application	All Cabinets
2EC0401	All	Single Enthalpy Control	All Cabinets
2EC0402	All	Dual Enthalpy Control (Includes 2 Sensors)	All Cabinets
2EE04707624	All	Economizer for Downflow, End Return Horizontal, or ERV Applications. Includes FA Hood, Exhaust Hood w/ Baro Relief	All 50" Cabinets
2EE04707424	All	Economizer for Downflow, End Return Horizontal, or ERV Applications. Includes FA Hood, Exhaust Hood w/ Baro Relief	All 42" Cabinets
2EE04706924	All	Horizontal Economizer without Barometric Relief	All Cabinets
2MD04703824	All	Motorized Damper, Downflow without Barometric Relief	All Cabinets
2MD04703924	All	Motorized Damper, Horizontal without Barometric Relief	All Cabinets
2PE04704706*	230	Power Exhaust 230V Downflow or Horizontal	All Cabinets
2PE04704746*	460	Power Exhaust 460V Downflow or Horizontal	All Cabinets
2PE04704758*	575	Power Exhaust 575V Downflow or Horizontal	All Cabinets

Field Installed Accessories - Controls

MODEL	VOLTAGE	DESCRIPTION	WHERE USED
2AP0401	All	Air Proving Switch	All Units
2AQ04700324	All	CO2 Space Accessory	All Units
2AQ04700424	All	CO2 Unit Accessory	All Units
2DF0402	All	Dirty Air Switch	All Units
2SH0401	All	Wall Mounted humidity sensor-For use with MagnaDry Reheat or space humidity input to Simplicity SE board.	All Cabinets
2SD04700824	All	Smoke Detector for Supply	All Gen 5 units and greater with 2" & 4" Filters
2SD04700924	All	Smoke Detector for Return	All Gen 5 units and greater with 2" & 4" Filters
2SD04701024	All	Smoke Detector for Supply and Return	All Gen 5 units and greater with 2" & 4" Filters
S1-YK-MAP1810-0P	All	MAP (Mobile Access Portal) Gateway- For use with Simplicity SE Control.	All Units
S1-MP-PRTKIT-0P	All	MAP (Multiple Access Portal) Gateway Kit- Replacement MAP gateway protective case, lanyard and communication cable. Use only to replace worn or damaged components.	All Units

Field Installed Accessories - Electrical

MODEL	VOLTAGE	DESCRIPTION	WHERE USED
2LA04704632	All	Low Ambient Kit	3 - 10T Units
2LA04704633	All	Low Ambient Kit	12.5T Units

Guide Specifications**GENERAL**

Units shall be manufactured by York International Unitary Products in an ISO 9001 certified facility. YORK® Predator® units are convertible single packages with a common footprint cabinet and common roof curb for all 6.5 through 12.5 ton models. All units have two compressors with independent R-410A refrigeration circuits to provide 2 stages of cooling. The units were designed for light commercial applications and can be easily installed on a roof curb, slab, or frame. All Predator® units are self-contained and assembled on rigid full perimeter base rails allowing for 3-way forklift access and overhead rigging. Every unit is completely charged with R-410A, wired, piped, and tested at the factory to provide a quick and easy field installation. All units are convertible between side and down airflow. Independent economizer designs are used on side and down discharge applications, as well as all tonnage

sizes. Predator® units are available in the following configurations: cooling only, cooling with electric heat, cooling with gas heat, heat pump, and heat pump with electric heat. Electric heaters are available as factory-installed options or field-installed accessories.

DESCRIPTION

Units shall be factory assembled, single package, (Elec/Elec, Gas/Elec), designed for outdoor installation. They shall have built in field convertible duct connections for down discharge supply/return or horizontal discharge supply/return and be available with factory installed options or field installed accessories. The units shall be factory wired, piped and charged with R-410A refrigerant and factory tested prior to shipment. All unit wiring shall be both numbered and color coded. The cooling performance shall be rated in accordance with DOE and AHRI test procedures. Units shall be CSA certified to ANSI Z21.47 and UL 1995/CAN/CSA No. 236-M90 standards.

UNIT CABINET

Unit cabinet shall be constructed of galvanized steel with exterior surfaces coated with a non-chalking, powder paint finish, certified at 1000 hour salt spray test per ASTM-B117 standards. Indoor blower sections shall be insulated with up to 1" thick insulation coated on the airside. Either aluminum foil faced or elastometric rubber insulation shall be used in the unit's compartments and be fastened to prevent insulation from entering the air stream. Cabinet doors shall be hinged with toolless access for easy servicing and maintenance. Full perimeter base rails shall be provided to assure reliable transit of equipment, overhead rigging, fork truck access and proper sealing on roof curb applications. Disposable 2" filters shall be furnished as standard and be accessible through hinged access door. Fan performance measuring ports shall be provided on the outside of the cabinet to allow accurate air measurements of evaporator fan performance without removing panels or creating bypass of the coils. Condensate pan shall be slide out design, constructed of a non corrosive material, internally sloped and conforming to ASHRAE 62-B9 standards. Condensate connection shall be a minimum of 3/4" I.D. female and be rigid mount connection.

INDOOR (EVAPORATOR) FAN ASSEMBLY

Fan shall be a belt drive assembly and include an adjustable pitch motor pulley. Job site selected brake horsepower shall not exceed the motors nameplate horsepower rating plus the service factor. Units shall be designed to operate within the service factor. Fan wheel shall be double inlet type with forward curve blades, dynamically balanced to operate smoothly throughout the entire range of operation. Airflow design shall be constant volume. Bearings shall be sealed and permanently lubricated for longer life and no maintenance. Entire blower assembly and motor shall be slide out design.

OUTDOOR (CONDENSER) FAN ASSEMBLY

The outdoor fans shall be of the direct drive type, discharge air vertically, have aluminum blades riveted to corrosion resistant steel spider brackets and shall be dynamically balanced for smooth operation. The outdoor fan motors shall have permanently lubricated bearings internally protected against overload conditions and staged independently. A cleaning window shall be provided on two sides of the units for coil cleaning.

REFRIGERANT COMPONENTS

Compressors:

- a. Shall be fully hermetic type, direct drive, internally protected with internal high-pressure relief and over temperature protection. The hermetic motor shall be suction gas cooled and have a voltage range of + or - 10% of the unit nameplate voltage.
- b. Shall have internal spring isolation and sound muffling to minimize vibration and noise, and be externally isolated on a dedicated, independent mounting.

Coils:

- a. Evaporator coils shall have aluminum plate fins mechanically bonded to seamless internally enhanced copper tubes with all joints brazed. Special Phenolic coating shall be available as a factory option.
- b. Evaporator coils shall be of the direct expansion, draw-thru design.
- c. Condenser coils shall have Mirco-Channel aluminum tube, aluminum fins.
- d. Condenser coils shall be of the direct expansion, draw-thru design.

Refrigerant Circuit and Refrigerant Safety Components shall include:

- a. Independent fixed-orifice or thermally operated expansion devices.
- b. Solid core filter drier/strainer to eliminate any moisture or foreign matter.
- c. Accessible service gage connections on both suction and discharge lines to charge, evacuate, and measure refrigerant pressure during any necessary servicing or troubleshooting, without losing charge.
- d. The unit shall have two independent refrigerant circuits, equally split in 50% capacity increments.

Unit Controls:

- a. Unit shall be complete with self-contained low-voltage control circuit protected by a resettable circuit breaker on the 24-volt transformer side.
- b. Unit shall incorporate a lockout circuit which provides reset capability at the space thermostat or base unit, should any of the following standard safety devices trip and shut off compressor.
 1. Loss-of-charge/Low-pressure switch.
 2. High-pressure switch.
 3. Freeze condition sensor on evaporator coil. If any of these safety devices trip, the LCD screen will display the alarm message.
- c. Unit shall incorporate "AUTO RESET" compressor over temperature, over current protection.
- d. Unit shall operate with conventional thermostat designs and have a low voltage terminal strip for easy hook-up.
- e. Unit control board shall have on-board diagnostics and fault message display.
- f. Standard controls shall include anti-short cycle and low voltage protection, and permit cooling operation down to a selectable value as low as 0 °F.
- g. Control board shall monitor each refrigerant safety switch independently.

GAS HEATING SECTION (IF EQUIPPED)

Heat exchanger and exhaust system shall be constructed of aluminized steel and shall be designed with induced draft combustion with post purge logic, energy saving direct spark igni-

tion, and redundant main gas valve. The heat exchanger shall be of the tubular type, constructed of T1-40 aluminized steel for corrosion resistance and allowing minimum mixed air entering temperature of 40 °F. Burners shall be of the in-shot type, constructed of aluminum-coated steel. All gas piping shall enter the unit cabinet at a single location, through either the side or bottom, without any field modifications. An integrated control board shall provide timed control of evaporator fan functioning and burner ignition. Heating section shall be provided with the following minimum protection:

- a. Primary and auxiliary high-temperature limit switches.
- b. Induced draft pressure sensor.
- c. Flame roll out switch (manual reset).
- d. Flame proving controls.
- e. All two stage units shall have two independent stages of capacity (60% 1st stage, 100% 2nd stage).

ELECTRIC HEATING SECTION (IF EQUIPPED)

An electric heating section, with nickel chromium elements, shall be provided in a range of 9 thru 54 KW, offering two states of capacity all sizes. The heating section shall have a primary limit control(s) (automatic reset) to prevent the heating element system from operating at an excessive temperature. The Heating Section assembly shall slide out of the unit for easy maintenance and service. Units with Electric Heating Sections shall be wired for a single point power supply with branch circuit fusing (where required).

UNIT OPERATING CHARACTERISTICS

Unit shall be capable of starting and running at 125 °F outdoor temperature, exceeding maximum load criteria of AHRI Standard 340/360. The compressor, with standard controls, shall be capable of operation down to 0 °F outdoor temperature. Unit shall be provided with fan time delay to prevent cold air delivery before heat exchanger warms up. (Gas heat only)

ELECTRICAL REQUIREMENTS - All unit power wiring shall enter unit cabinet at a single factory provided location and be capable of side or bottom entry to minimize roof penetrations and avoid unit field modifications. Separate side and bottom openings shall be provided for the control wiring.

STANDARD LIMITED WARRANTIES - Compressor – 5 Years, Heat Exchanger – 10 Years, Elect. Heat Elem. – 5 Years, Parts – 1 Year

FACTORY INSTALLED OPTIONAL OUTDOOR AIR (Shall be made available by either/or):

- **DRY BULB AUTOMATIC ECONOMIZER** - Outdoor and return air dampers that are interlocked and positioned by a fully-modulating, spring-return damper actuator. The maximum leakage rate for the outdoor air intake dampers shall be designed to meet ASHRAE 90.1-2010, AMCA 511 Class 1A damper, and the International Energy Conservation Code (IECC) certification requirements by achieving leakage rates of 3 cfm/sq. ft. at 1" of static pressure. Changeover from compressor to economizer

operation shall be provided by an integral electronic enthalpy control that feeds input into the basic module. The outdoor intake opening shall be covered with a rain hood that matches the exterior of the unit. Water eliminator/filters shall be provided.

Simultaneous economizer/compressor operation is also possible. Dampers shall fully close on power loss. Available with barometric relief and power exhaust.

- **MOTORIZED OUTDOOR AIR DAMPERS** - Outdoor and return air dampers that are interlocked and positioned by a 2- position, spring-return damper actuator. A unit-mounted potentiometer shall be provided to adjust the outdoor and return air damper assembly to take in the design CFM of outdoor air to meet the ventilation requirements of the conditioned space during normal operation. Whenever the indoor fan motor is energized, the dampers open up to one of two pre-selected positions - regardless of the outdoor air enthalpy. Dampers return to the fully closed position when the indoor fan motor is de-energized. Dampers shall fully close on power loss.

ADDITIONAL FACTORY INSTALLED OPTIONS

- **ALTERNATE INDOOR BLOWER MOTOR** – For applications with high restrictions, units are available with optional indoor blower motors that provide higher static output and/or higher airflow.
- **Variable Air Volume (VAV)** – The VAV option using a variable frequency drive (VFD) shall be available on 6.5 through 12.5 ton, models for applications requiring a constant supply-duct static pressure. Units equipped for VAV shall be controlled by a duct pressure transducer with a 0 - 5" WC pressure range. The pressure transducer shall provide a 0 - 5 VDC output signal to a VAV control board which, in turn shall provide a 2 - 10 VDC speed reference signal to the VFD. The VAV control board shall operate using factory-installed Supply Air, Return Air and Outside Air Temperature Sensors with a nominal resistance of 10,000 Ohms. Units equipped with VFD's shall have factory-installed manual bypass as an option.
- **CONVENIENCE OUTLET (POWERED/NON-POWERED)**– Unit can be provided with an optional 120VAC GFCI outlet with cover on the corner of the unit housing the compressors.
- **ELECTRIC HEAT** - Electric Heaters range from 9 kW to 54 kW and are available in all the voltage options of the base unit.
- **PHASE MONITOR** - Designed to prevent damage in out-of-phase condition.
- **COIL GUARD** - Designed to prevent condenser coil damage.
- **BAS CONTROLS HARDWARE** - Include supply air sensor, return air sensor, dirty filter indicator and air proving switch.
- **DIRTY FILTER SWITCH** – This kit includes a differential pressure switch that energizes the fault light on the unit thermostat, indicating that there is an abnormally high-pressure drop across the filters.

- **BREAKER** – An HACR breaker can be factory installed on gas heat units or cooling units with electric heat.
- **DISCONNECT SWITCH** - A disconnect can be factory installed on a cooling only units sized for the largest electric heat available.
- **STAINLESS STEEL HEAT EXCHANGER** – For applications in a corrosive environment, this option provides a full stainless steel heat exchanger assembly.
- **SMOKE DETECTOR** – A smoke detector can be factory mounted and wired in the supply and/or return air compartments.

OTHER PRE-ENGINEERED ACCESSORIES AVAILABLE

- **ROOF CURB** - 14" and 8" high, full perimeter knockdown curb, with hinged design for quick assembly.

- **BAROMETRIC RELIEF DAMPER** – (Unit mounted – Downflow, Duct Mounted – Horizontal) – Contains a rain hood, air inlet screen, exhaust damper and mounting hardware. Used to relieve internal air pressure through the unit during economizer operation.
- **PROPANE CONVERSION KIT** – Contains new orifices and gas valve springs to convert from natural to L.P. gas.
- **ECONOMIZER** (Downflow and Horizontal flow)
- **POWER EXHAUST** – (Unit mount – Downflow, Duct mount – Horizontal flow)
- **DUAL ENTHALPY KIT** - Provides a second input to economizer to monitor return air.

Physical Data

ZF078-150 Physical Data

Component	Models									
	ZF078		ZF090		ZF102		ZF120		ZF150	
Nominal Tonnage	6.5		7.5		8.5		10		12.5	
AHRI COOLING PERFORMANCE										
Gross Capacity @ AHRI A point (Mbh)	81000		90000		104000		126000		156000	
AHRI net capacity (Mbh)	78000		85000		100000		118000		150000	
EER	11.2		11.0		11.2		11.2		11.0	
IEER with Constant Volume	12.5 ¹ /12.3 ²		12.2		12.2		12.1		12.3 ¹ /12.1 ²	
IEER with Intellispeed	14.0 ¹ /13.8 ²		13.7 ¹ /13.5 ²		14.0 ¹ /13.8 ²		14.0 ¹ /13.8 ²		13.2 ¹ /13.0 ²	
IEER with VAV	12.5 ¹ /12.3 ²		12.2		12.2		12.1		12.3 ¹ /12.1 ²	
IPLV	12.9		12.1		12.5		12.6		13.06	
CFM	2500		2500		3400		4000		4050	
System power (KW)	6.95		7.87		8.90		10.70		13.40	
Refrigerant type	R-410A		R-410A		R-410A		R-410A		R-410A	
Refrigerant charge (lb-oz)										
System 1	4-8		4-12		5-12		6-8		7-10	
System 2	4-8		4-10		5-12		6-8		7-4	
AHRI HEATING PERFORMANCE										
Heating model	N12	N18	N12	N18	N12	N18	N18	N24	N18	N24
Heat input (K Btu)	120	180	120	180	120	180	180	240	180	240
Heat output (K Btu)	96	144	96	144	96	144	144	192	144	192
AFUE %	-	-	-	-	-	-	-	-	-	-
Steady state efficiency (%)	80	80	80	80	80	80	80	80	80	80
No. burners	4	6	4	6	4	6	6	8	6	8
No. stages	2 ³	2 ³	2 ³	2 ³	2 ³	2 ³	2 ³	2 ³	2 ³	2 ³
Temperature Rise Range (°F)	20-50	35-65	15-45	30-60	10-40	25-55	20-50	35-65	10-40	25-55
Gas Limit Setting (°F)	165	165	165	165	215	195	195	150	195	150
Gas piping connection (in.)	3/4	3/4	3/4	3/4	3/4	3/4	3/4	3/4	3/4	3/4
DIMENSIONS (inches)										
Length	89		89		89		89		119-1/2	
Width	59		59		59		59		59	
Height	42		42		50-3/4		50-3/4		50-3/4	
OPERATING WT. (lbs.)	860		880		1007		1060		1253	
COMPRESSORS										
Type	Recip		Recip		Recip		Recip		Scroll	
Quantity	2		2		2		2		2	
Unit Capacity Steps (%)	50 / 100		50 / 100		50 / 100		50 / 100		50 / 100	
CONDENSER COIL DATA										
Face area (Sq. Ft.)	18.5		18.5		29.0		29.0		29	
Rows	1		1		1		1		1	
Fins per inch	23		23		23		23		23	
Tube diameter (in.)/mm	.71/18		.71/18		.71/18		.71/18		1/25	
Circuitry Type	2-pass Microchannel		2-pass Microchannel		2-pass Microchannel		2-pass Microchannel		2-pass Microchannel	
EVAPORATOR COIL DATA										
Face area (Sq. Ft.)	10.6		10.6		13.2		13.2		13.2	
Rows	3		3		3		4		4	
Fins per inch	15		15		15		15		15	
Tube diameter	0.375		0.375		0.375		0.375		0.375	

ZF078-150 Physical Data (Continued)

Component	Models									
	ZF078		ZF090		ZF102		ZF120		ZF150	
Nominal Tonnage	6.5		7.5		8.5		10		12.5	
Circuitry Type	Intertwined		Intertwined		Intertwined		Intertwined		Intertwined	
Refrigerant control	TXV		TXV		TXV		TXV		TXV	
CONDENSER FAN DATA										
Quantity of Fans	2		2		2		2		4	
Fan diameter (Inch)	24		24		24		24		24	
Type	Prop		Prop		Prop		Prop		Prop	
Drive type	Direct		Direct		Direct		Direct		Direct	
Quantity of motors	2		2		2		2		4	
Motor HP each	1/3		3/4		3/4		3/4		3/4	
No. speeds	1		1		1		1		1	
RPM	850		1110		1110		1110		1110	
Total CFM	6200		7600		9500		9500		11200	
BELT DRIVE EVAP FAN DATA										
Quantity	1		1		1		1		1	
Fan Size (Inch)	12 x 12		12 x 12		15 x 15		15 x 15		15 x 15	
Type	Centrifugal		Centrifugal		Centrifugal		Centrifugal		Centrifugal	
Motor Sheave	1VM50	1VM50	1VM50	1VM50	1VM50	1VM50	1VM50	1VM50	1VM50	1VP56
Blower Sheave	AK74	AK64	AK74	AK61	AK89	AK74	AK84	AK74	AK74	BK77
Belt	A49	A49	A49	A49	A56	A54	A56	A54	A54	BX55
Motor HP each	1-1/2	2	1-1/2	3	2	3	2	3	3	5
RPM	1725	1725	1725	1725	1725	1725	1725	1725	1725	1725
Frame size	56	56	56	56	56	56	56	56	56	184T
FILTERS										
Quantity - Size	4 - (24 x 16 x 2) ^{4,5}		4 - (24 x 16 x 2) ^{4,5}		4 - (24 x 20 x 2) ^{4,5}		4 - (24 x 20 x 2) ^{4,5}		4 - (24 x 20 x 2) ^{4,5}	
	4 - (24 x 16 x 4) ⁶		4 - (24 x 16 x 4) ⁶		4 - (24 x 20 x 4) ⁶		4 - (24 x 20 x 4) ⁶		4 - (24 x 20 x 4) ⁶	

1. Cooling Only Unit or Cooling Unit with Electric Heat
2. Cooling Unit with Gas Heat
3. 1ST Stage 60% of 2nd Stage
4. 2 In. Throwaway, Standard, MERV (Minimum Efficiency Reporting Value) 3
5. 2 In. Pleated, Optional, MERV 8
6. 4 In. Pleated, Optional, MERV 13

ZF078-150 Unit Limitations

Size (Tons)	Model	Unit Voltage	Unit Limitations		
			Applied Voltage		Outdoor DB Temp
			Min	Max	Max (°F)
078 (6.5)	ZF	208/230-3-60	187	252	125
		460-3-60	432	504	125
		575-3-60	540	630	125
090 (7.5)	ZF	208/230-3-60	187	252	125
		460-3-60	432	504	125
		575-3-60	540	630	125
102 (8.5)	ZF	208/230-3-60	187	252	125
		460-3-60	432	504	125
		575-3-60	540	630	125
120 (10)	ZF	208/230-3-60	187	252	125
		460-3-60	432	504	125
		575-3-60	540	630	125
150 (12.5)	ZF	208/230-3-60	187	252	125
		460-3-60	432	504	125
		575-3-60	540	630	125

Capacity Performance

ZF078-150 Cooling Capacities

ZF078 (6.5 Ton)

Air on		Temperature of Air on Condenser Coil															
Evaporator Coil		Total Capacity ¹ (MBh)	Total Input (kW) ²	Sensible Capacity (MBh)						Total Capacity ¹ (MBh)	Total Input (kW) ²	Sensible Capacity (MBh)					
CFM	WB (°F)			Return Dry Bulb (°F)								Return Dry Bulb (°F)					
				90	85	80	75	70	65			90	85	80	75	70	65
		75°F									85°F						
1625	77	102.9	5.0	41.5	34.0	26.6	-	-	-	96.2	5.6	39.9	32.5	25.0	-	-	-
	72	94.8	5.0	53.8	46.4	38.9	31.5	-	-	88.3	5.5	51.6	44.2	36.7	29.3	-	-
	67	86.7	5.0	66.1	58.7	51.3	43.8	36.4	-	80.3	5.5	63.3	55.8	48.4	41.0	33.6	-
	62	79.2	5.0	79.2	72.4	61.4	54.0	46.6	39.1	72.8	5.4	72.8	69.4	58.6	51.1	43.7	36.3
1950	77	106.6	5.0	46.7	38.0	29.3	-	-	-	99.6	5.6	44.9	36.2	27.6	-	-	-
	72	98.2	5.0	60.3	51.5	42.8	34.1	-	-	91.4	5.5	57.8	49.1	40.4	31.7	-	-
	67	89.8	5.0	73.8	65.1	56.3	47.6	38.9	-	83.1	5.5	70.6	61.9	53.3	44.6	35.9	-
	62	82.0	5.0	82.0	77.5	67.5	58.8	50.0	41.3	75.4	5.4	75.4	73.1	64.4	55.8	47.1	38.4
	57	79.2	4.9	79.2	79.2	71.1	62.4	53.6	44.9	74.4	5.4	74.4	74.4	66.4	57.7	49.1	40.4
2275	77	110.2	5.0	52.0	41.9	31.9	-	-	-	103.0	5.6	49.9	40.0	30.1	-	-	-
	72	101.6	5.0	66.7	56.7	46.7	36.6	-	-	94.4	5.5	63.9	54.0	44.1	34.2	-	-
	67	92.9	5.0	81.5	71.4	61.4	51.4	41.3	-	85.9	5.5	78.0	68.1	58.1	48.2	38.3	-
	62	84.8	5.0	84.8	82.5	73.6	63.6	53.5	43.5	77.9	5.4	77.9	76.8	70.3	60.4	50.5	40.6
	57	81.9	4.9	81.9	81.9	77.5	67.5	57.4	47.4	76.9	5.4	76.9	76.9	72.5	62.5	52.6	42.7
2600	77	113.9	5.0	57.2	45.9	34.5	-	-	-	106.3	5.6	54.9	43.7	32.6	-	-	-
	72	104.9	5.0	73.2	61.9	50.5	39.2	-	-	97.5	5.5	70.1	58.9	47.8	36.6	-	-
	67	95.9	5.0	89.2	77.8	66.5	55.2	43.8	-	88.7	5.5	85.3	74.2	63.0	51.8	40.7	-
	62	87.6	5.0	87.6	87.6	79.7	68.3	57.0	45.7	80.4	5.5	80.4	80.4	76.2	65.0	53.8	42.7
	57	84.6	4.9	84.6	84.6	83.9	72.6	61.2	49.9	79.4	5.4	79.4	79.4	78.5	67.3	56.2	45.0
2925	72	107.2	5.0	78.2	65.9	53.6	41.4	-	-	99.5	5.6	75.3	63.1	51.0	38.8	-	-
	67	98.0	5.0	94.6	82.9	70.6	58.4	46.1	-	90.5	5.5	88.8	79.3	67.2	55.0	42.9	-
	62	89.5	5.0	89.5	89.5	85.5	73.3	61.0	48.7	82.0	5.5	82.0	82.0	79.9	67.8	55.6	43.5
	57	86.5	4.9	86.5	86.5	86.1	73.8	61.6	49.3	81.0	5.4	81.0	81.0	80.5	68.4	56.2	44.1
3250	72	109.4	5.0	83.1	70.0	56.8	43.6	-	-	101.4	5.6	80.4	67.3	54.2	41.0	-	-
	67	100.1	5.0	100.1	87.9	74.7	61.6	48.4	-	92.3	5.5	92.3	84.5	71.4	58.3	45.1	-
	62	91.4	5.0	91.4	91.4	91.4	78.2	65.0	51.8	83.6	5.5	83.6	83.6	83.6	70.5	57.4	44.2
	57	88.3	4.9	88.3	88.3	88.3	75.1	61.9	48.7	82.5	5.4	82.5	82.5	82.5	69.4	56.3	43.1
		95°F									105°F						
1625	77	89.6	6.1	38.3	30.9	23.5	-	-	-	82.4	6.7	33.7	28.5	21.2	-	-	-
	72	81.7	6.1	49.3	41.9	34.5	27.1	-	-	74.8	6.6	46.6	39.3	31.9	24.6	-	-
	67	73.9	6.0	60.4	53.0	45.6	38.2	30.8	-	67.2	6.5	59.4	50.0	42.7	35.4	28.1	-
	62	66.5	5.9	66.5	66.5	55.7	48.3	40.9	33.5	61.3	6.4	61.3	61.3	51.7	44.4	37.1	29.8
1950	77	92.6	6.1	43.0	34.4	25.8	-	-	-	85.1	6.7	40.4	31.9	23.4	-	-	-
	72	84.5	6.1	55.2	46.6	38.0	29.4	-	-	77.3	6.6	52.3	43.8	35.3	26.8	-	-
	67	76.5	6.0	67.4	58.8	50.2	41.6	33.0	-	69.4	6.5	64.2	55.7	47.2	38.7	30.2	-
	62	68.7	5.9	68.7	68.7	61.4	52.8	44.2	35.6	63.3	6.4	63.3	63.3	57.2	48.6	40.1	31.6
	57	69.5	5.9	69.5	69.5	61.7	53.1	44.5	35.9	61.4	6.4	61.4	61.4	53.9	45.4	36.9	28.4
2275	77	95.7	6.2	47.8	38.0	28.2	-	-	-	87.8	6.8	47.1	35.3	25.6	-	-	-
	72	87.3	6.1	61.1	51.3	41.5	31.8	-	-	79.7	6.7	58.1	48.4	38.7	29.0	-	-
	67	79.0	6.0	74.4	64.7	54.9	45.1	35.3	-	71.7	6.5	69.0	61.4	51.7	42.0	32.3	-
	62	71.0	5.9	71.0	71.0	67.0	57.2	47.4	37.6	65.3	6.4	65.3	65.3	62.6	52.9	43.2	33.5
	57	71.8	6.0	71.8	71.8	67.4	57.6	47.8	38.0	63.3	6.4	63.3	63.3	59.0	49.3	39.6	29.9
2600	77	98.7	6.2	52.6	41.6	30.6	-	-	-	90.5	6.8	53.7	38.7	27.8	-	-	-
	72	90.1	6.1	67.0	56.0	45.1	34.1	-	-	82.2	6.7	63.8	52.9	42.0	31.1	-	-
	67	81.5	6.0	81.5	70.5	59.5	48.5	37.5	-	73.9	6.6	73.9	67.1	56.2	45.3	34.4	-
	62	73.3	6.0	73.3	73.3	72.7	61.7	50.7	39.7	67.3	6.5	67.3	67.3	68.0	57.2	46.3	35.4
	57	74.1	6.0	74.1	74.1	73.1	62.1	51.1	40.1	65.3	6.4	65.3	65.3	64.1	53.2	42.4	31.5
2925	72	91.7	6.1	72.4	60.3	48.3	36.3	-	-	83.6	6.7	69.1	57.1	45.1	33.2	-	-
	67	83.0	6.0	83.0	75.8	63.8	51.7	39.7	-	75.2	6.6	75.1	70.9	60.4	48.4	36.5	-
	62	74.6	6.0	74.6	74.6	74.3	62.2	50.2	38.2	68.5	6.5	68.5	68.5	68.9	56.9	44.9	33.0
	57	75.5	6.0	75.5	75.5	74.9	62.9	50.9	38.8	66.4	6.4	66.4	66.4	65.9	53.9	41.9	30.0
3250	72	93.4	6.1	77.7	64.6	51.5	38.4	-	-	85.1	6.7	74.3	61.3	48.3	35.2	-	-
	67	84.4	6.0	84.4	81.1	68.1	55.0	41.9	-	76.4	6.6	76.4	74.8	64.6	51.5	38.5	-
	62	75.9	6.0	75.9	75.9	75.9	62.8	49.7	36.6	69.7	6.5	69.7	69.7	69.7	56.6	43.6	30.5
	57	76.8	6.0	76.8	76.8	76.8	63.7	50.6	37.5	67.6	6.4	67.6	67.6	67.6	54.5	41.5	28.5

ZF078 (6.5 Ton) (Continued)

Air on Evaporator Coil		Temperature of Air on Condenser Coil															
CFM	WB (°F)	Total Capacity ¹ (MBh)	Total Input (kW) ²	Sensible Capacity (MBh)						Total Capacity ¹ (MBh)	Total Input (kW) ²	Sensible Capacity (MBh)					
				Return Dry Bulb (°F)								Return Dry Bulb (°F)					
				90	85	80	75	70	65			90	85	80	75	70	65
				115°F						125°F							
1625	77	75.2	7.3	29.2	26.1	18.9	-	-	-	68.0	7.9	28.3	22.9	16.6	-	-	-
	72	67.9	7.1	43.8	36.6	29.3	22.1	-	-	60.9	7.7	41.0	33.9	26.8	19.6	-	-
	67	60.5	7.0	58.4	47.1	39.8	32.6	25.4	-	53.8	7.5	53.8	44.1	36.9	29.8	22.7	-
	62	56.1	6.8	56.1	56.1	47.7	40.5	33.3	26.0	50.9	7.3	50.9	50.9	43.7	36.6	29.4	22.3
1950	77	77.6	7.3	37.8	29.4	20.9	-	-	-	70.1	7.9	37.5	26.8	18.5	-	-	-
	72	70.0	7.2	49.4	41.0	32.6	24.2	-	-	62.7	7.7	46.5	38.1	29.8	21.5	-	-
	67	62.4	7.0	61.0	52.6	44.2	35.8	27.4	-	55.4	7.5	55.4	49.5	41.2	32.9	24.5	-
	62	57.8	6.9	57.8	57.8	52.9	44.5	36.1	27.7	52.4	7.4	52.4	52.4	48.7	40.4	32.1	23.8
	57	53.2	6.8	53.2	53.2	46.1	37.7	29.2	20.8	45.1	7.2	45.1	45.1	38.3	29.9	21.6	13.3
2275	77	80.0	7.4	46.3	32.6	23.0	-	-	-	72.1	8.0	46.8	30.8	20.4	-	-	-
	72	72.2	7.2	55.0	45.4	35.8	26.2	-	-	64.6	7.8	51.9	42.4	32.9	23.4	-	-
	67	64.3	7.0	63.6	58.2	48.6	39.0	29.4	-	57.0	7.6	57.0	54.9	45.4	35.9	26.4	-
	62	59.6	6.9	59.6	59.6	58.2	48.6	39.0	29.4	53.9	7.4	53.9	53.9	53.8	44.3	34.8	25.3
	57	54.8	6.8	54.8	54.8	50.6	41.0	31.4	21.8	46.4	7.2	46.4	46.4	42.2	32.7	23.2	13.7
2600	77	82.3	7.4	54.9	35.9	25.1	-	-	-	74.2	8.0	56.0	34.7	22.3	-	-	-
	72	74.3	7.2	60.6	49.8	39.0	28.2	-	-	66.4	7.8	57.3	46.7	36.0	25.3	-	-
	67	66.2	7.1	66.2	63.7	52.9	42.1	31.4	-	58.6	7.6	58.6	58.6	49.7	39.0	28.3	-
	62	61.4	7.0	61.4	61.4	63.4	52.6	41.9	31.1	55.5	7.5	55.5	55.5	55.5	48.1	37.4	26.8
	57	56.5	6.9	56.5	56.5	55.2	44.4	33.6	22.8	47.7	7.3	47.7	47.7	46.2	35.6	24.9	14.2
2925	72	75.5	7.3	65.8	53.9	42.0	30.1	-	-	67.4	7.8	62.5	50.7	38.9	27.0	-	-
	67	67.3	7.1	67.3	66.1	57.0	45.1	33.2	-	59.5	7.6	59.5	59.5	53.6	41.8	30.0	-
	62	62.4	7.0	62.4	62.4	63.4	51.5	39.7	27.8	56.3	7.5	56.3	56.3	56.3	46.2	34.4	22.6
	57	57.4	6.9	57.4	57.4	56.8	44.9	33.0	21.1	48.4	7.3	48.4	48.4	47.7	35.9	24.1	12.3
3250	72	76.8	7.3	71.0	58.0	45.0	32.0	-	-	68.5	7.9	67.6	54.7	41.7	28.8	-	-
	67	68.4	7.1	68.4	68.4	61.1	48.1	35.1	-	60.5	7.7	60.5	60.5	57.6	44.6	31.7	-
	62	63.4	7.0	63.4	63.4	63.4	50.4	37.5	24.5	57.2	7.5	57.2	57.2	57.2	44.3	31.3	18.4
	57	58.4	6.9	58.4	58.4	58.4	45.4	32.4	19.4	49.1	7.4	49.1	49.1	49.1	36.2	23.3	10.3

1. These capacities are gross ratings. For net capacity, deduct air blower motor, MBh = 3.415 x kW. Refer to the appropriate Blower Performance Table for the kW of the supply air blower motor.
2. These ratings include the condenser fan motors (total 1 kW) and the compressor motors but not the supply air blower motor.

ZF090 (7.5 Ton)

Air on Evaporator Coil		Temperature of Air on Condenser Coil															
CFM	WB (°F)	Total Capacity ¹ (MBh)	Total Input (kW) ²	Sensible Capacity (MBh)						Total Capacity ¹ (MBh)	Total Input (kW) ²	Sensible Capacity (MBh)					
				Return Dry Bulb (°F)								Return Dry Bulb (°F)					
				90	85	80	75	70	65			90	85	80	75	70	65
				75°F						85°F							
1875	77	119.9	6.0	49.5	41.4	33.3	-	-	-	112.2	6.6	47.2	39.2	31.3	-	-	-
	72	110.5	6.0	63.2	55.1	47.0	38.8	-	-	103.0	6.6	60.2	52.3	44.3	36.4	-	-
	67	101.1	6.0	76.9	68.8	60.7	52.5	44.4	-	93.7	6.6	73.2	65.3	57.3	49.4	41.4	-
	62	91.2	6.1	91.2	82.1	72.7	64.6	56.4	48.3	84.5	6.6	84.5	79.2	68.8	60.8	52.9	44.9
2250	77	123.0	6.0	54.1	45.0	35.8	-	-	-	115.1	6.7	51.8	42.7	33.7	-	-	-
	72	113.3	6.0	68.8	59.7	50.6	41.4	-	-	105.6	6.7	65.8	56.8	47.8	38.8	-	-
	67	103.6	6.1	83.6	74.5	65.3	56.2	47.1	-	96.1	6.6	79.8	70.8	61.8	52.8	43.8	-
	62	93.6	6.1	93.6	87.4	78.3	69.2	60.0	50.9	86.7	6.6	86.7	83.1	74.1	65.1	56.1	47.1
2625	77	126.0	6.1	58.7	48.5	38.4	-	-	-	118.0	6.7	56.3	46.2	36.2	-	-	-
	72	116.1	6.1	74.5	64.3	54.2	44.1	-	-	108.2	6.7	71.4	61.3	51.2	41.2	-	-
	67	106.2	6.1	90.3	80.1	70.0	59.9	49.7	-	98.5	6.7	86.4	76.4	66.3	56.2	46.1	-
	62	95.9	6.1	95.9	92.8	83.9	73.8	63.7	53.5	88.8	6.6	88.8	87.1	79.5	69.4	59.3	49.3
3000	77	129.1	6.1	63.2	52.1	41.0	-	-	-	120.8	6.8	60.9	49.7	38.6	-	-	-
	72	118.9	6.1	80.1	69.0	57.8	46.7	-	-	110.9	6.7	76.9	65.8	54.7	43.5	-	-
	67	108.8	6.1	97.0	85.8	74.7	63.6	52.4	-	100.9	6.7	93.0	81.9	70.7	59.6	48.5	-
	62	98.2	6.1	98.2	98.2	89.5	78.4	67.3	56.1	91.0	6.7	91.0	91.0	84.8	73.7	62.6	51.4
3375	77	122.5	6.1	85.8	73.6	61.4	49.3	-	-	114.0	6.7	82.8	70.6	58.4	46.2	-	-
	72	112.0	6.1	106.1	91.5	79.4	67.2	55.0	-	103.7	6.7	99.8	87.8	75.6	63.4	51.2	-
	67	101.1	6.1	101.1	101.1	96.8	84.6	72.5	60.3	93.5	6.7	93.5	93.5	90.5	78.3	66.1	53.9
	62	102.8	6.0	102.8	102.8	101.6	89.4	77.3	65.1	95.3	6.6	95.3	95.3	94.4	82.2	70.0	57.9
3750	77	126.1	6.1	91.5	78.3	65.1	51.9	-	-	117.1	6.7	88.7	75.5	62.2	48.9	-	-
	72	115.3	6.1	115.3	97.3	84.1	70.9	57.6	-	106.5	6.7	106.5	93.7	80.5	67.2	53.9	-
	67	104.1	6.1	104.1	104.1	104.1	90.9	77.7	64.5	96.1	6.7	96.1	96.1	96.1	82.8	69.6	56.3
	62	105.8	6.0	105.8	105.8	105.8	92.6	79.4	66.1	97.9	6.6	97.9	97.9	97.9	84.6	71.4	58.1
				95°F						105°F							
1875	77	104.6	7.3	44.9	37.1	29.3	-	-	-	95.9	7.9	40.1	33.5	25.7	-	-	-
	72	95.4	7.2	57.2	49.5	41.7	33.9	-	-	87.2	7.8	53.9	46.1	38.2	30.4	-	-
	67	86.3	7.1	69.6	61.8	54.0	46.3	38.5	-	78.5	7.6	67.7	58.6	50.8	43.0	35.1	-
	62	77.8	7.0	77.8	76.3	64.8	57.1	49.3	41.5	71.0	7.5	71.0	70.3	60.2	52.3	44.5	36.7
2250	77	107.2	7.3	49.4	40.5	31.6	-	-	-	98.3	8.0	45.5	36.7	27.8	-	-	-
	72	97.9	7.3	62.8	53.9	45.0	36.1	-	-	89.4	7.8	59.1	50.2	41.4	32.5	-	-
	67	88.6	7.2	76.1	67.2	58.3	49.4	40.5	-	80.5	7.7	72.7	63.8	54.9	46.1	37.2	-
	62	79.8	7.1	79.8	78.8	69.9	61.0	52.2	43.3	72.8	7.6	72.8	72.3	65.1	56.2	47.3	38.5
2625	77	109.9	7.4	54.0	44.0	34.0	-	-	-	100.8	8.0	50.9	39.8	29.9	-	-	-
	72	100.4	7.3	68.3	58.3	48.2	38.2	-	-	91.6	7.9	64.3	54.4	44.5	34.6	-	-
	67	90.8	7.2	82.6	72.6	62.5	52.5	42.5	-	82.5	7.8	77.6	69.0	59.1	49.2	39.3	-
	62	81.8	7.1	81.8	81.3	75.0	65.0	55.0	45.0	74.6	7.6	74.6	74.3	70.0	60.1	50.2	40.3
3000	77	112.6	7.4	58.5	47.4	36.3	-	-	-	103.2	8.1	56.3	42.9	32.0	-	-	-
	72	102.8	7.4	73.8	62.7	51.5	40.4	-	-	93.9	7.9	69.4	58.5	47.6	36.7	-	-
	67	93.0	7.3	89.1	77.9	66.8	55.7	44.5	-	84.5	7.8	82.5	74.1	63.2	52.3	41.4	-
	62	83.8	7.2	83.8	83.8	80.2	69.0	57.9	46.8	76.4	7.7	76.4	76.4	74.9	64.0	53.0	42.1
3375	77	112.6	7.4	58.5	47.4	36.3	-	-	-	103.2	8.1	56.3	42.9	32.0	-	-	-
	72	102.8	7.4	73.8	62.7	51.5	40.4	-	-	93.9	7.9	69.4	58.5	47.6	36.7	-	-
	67	93.0	7.3	89.1	77.9	66.8	55.7	44.5	-	84.5	7.8	82.5	74.1	63.2	52.3	41.4	-
	62	83.8	7.2	83.8	83.8	80.2	69.0	57.9	46.8	76.4	7.7	76.4	76.4	74.9	64.0	53.0	42.1
3750	77	105.4	7.4	79.9	67.6	55.4	43.2	-	-	96.0	8.0	75.0	63.0	51.0	39.1	-	-
	72	95.4	7.3	93.4	84.1	71.8	59.6	47.4	-	86.5	7.8	85.5	79.4	67.8	55.8	43.9	-
	67	86.0	7.2	86.0	86.0	84.1	71.9	59.7	47.4	78.2	7.7	78.2	78.2	77.4	65.4	53.5	41.5
	62	87.9	7.2	87.9	87.9	87.3	75.0	62.8	50.6	80.5	7.7	80.5	80.5	79.9	67.9	55.9	43.9
3750	77	108.1	7.4	86.0	72.6	59.3	46.0	-	-	98.2	8.0	80.6	67.5	54.5	41.5	-	-
	72	97.8	7.3	97.8	90.2	76.9	63.5	50.2	-	88.4	7.9	88.4	84.6	72.4	59.4	46.3	-
	67	88.1	7.2	88.1	88.1	88.1	74.8	61.4	48.1	79.9	7.7	79.9	79.9	79.9	66.9	53.9	40.9
	62	90.1	7.2	90.1	90.1	90.1	76.7	63.4	50.1	82.4	7.7	82.4	82.4	82.4	69.4	56.3	43.3

ZF090 (7.5 Ton) (Continued)

Air on Evaporator Coil		Temperature of Air on Condenser Coil															
CFM	WB (°F)	Total Capacity ¹ (MBh)	Total Input (kW) ²	Sensible Capacity (MBh)						Total Capacity ¹ (MBh)	Total Input (kW) ²	Sensible Capacity (MBh)					
				Return Dry Bulb (°F)								Return Dry Bulb (°F)					
				90	85	80	75	70	65			90	85	80	75	70	65
				115°F						125°F							
1875	77	87.3	8.6	35.4	30.0	22.1	-	-	-	78.6	9.2	31.6	26.4	18.5	-	-	-
	72	79.0	8.4	50.6	42.7	34.8	26.9	-	-	70.8	8.9	47.3	39.3	31.4	23.4	-	-
	67	70.7	8.1	65.8	55.4	47.5	39.6	31.7	-	62.9	8.6	62.9	52.3	44.3	36.3	28.4	-
	62	64.2	8.0	64.2	64.2	55.5	47.6	39.7	31.8	57.4	8.5	57.4	57.4	50.8	42.9	34.9	27.0
2250	77	89.5	8.6	41.6	32.8	24.0	-	-	-	80.6	9.3	39.1	28.9	20.1	-	-	-
	72	81.0	8.4	55.4	46.6	37.8	28.9	-	-	72.5	9.0	51.8	43.0	34.2	25.4	-	-
	67	72.5	8.2	69.2	60.4	51.6	42.7	33.9	-	64.5	8.7	64.5	57.0	48.2	39.4	30.6	-
	62	65.8	8.1	65.8	65.8	60.2	51.4	42.5	33.7	58.7	8.5	58.7	58.7	55.3	46.5	37.7	28.9
	57	68.5	8.0	68.5	68.5	60.7	51.9	43.0	34.2	61.9	8.5	61.9	61.9	54.2	45.4	36.6	27.7
2625	77	91.6	8.7	47.9	35.6	25.8	-	-	-	82.5	9.3	46.5	31.4	21.8	-	-	-
	72	82.9	8.5	60.2	50.5	40.7	30.9	-	-	74.2	9.1	56.2	46.6	36.9	27.3	-	-
	67	74.3	8.3	72.6	65.4	55.6	45.8	36.0	-	66.0	8.8	66.0	61.8	52.1	42.5	32.8	-
	62	67.4	8.1	67.4	67.4	64.9	55.1	45.4	35.6	60.1	8.6	60.1	60.1	59.8	50.2	40.5	30.9
	57	70.1	8.1	70.1	70.1	65.4	55.7	45.9	36.1	63.4	8.6	63.4	63.4	58.6	48.9	39.3	29.6
3000	77	93.8	8.7	54.1	38.4	27.7	-	-	-	84.4	9.4	53.9	33.9	23.4	-	-	-
	72	84.9	8.5	65.1	54.4	43.7	32.9	-	-	75.9	9.1	60.7	50.2	39.7	29.2	-	-
	67	76.0	8.3	76.0	70.3	59.6	48.9	38.2	-	67.5	8.9	67.5	66.5	56.0	45.5	35.0	-
	62	68.9	8.2	68.9	68.9	69.6	58.9	48.2	37.5	61.5	8.7	61.5	61.5	61.5	53.8	43.3	32.8
	57	71.8	8.2	71.8	71.8	70.2	59.5	48.7	38.0	64.8	8.7	64.8	64.8	63.0	52.5	42.0	31.5
3375	72	86.6	8.6	70.1	58.4	46.7	35.0	-	-	77.2	9.2	65.2	53.8	42.3	30.9	-	-
	67	77.6	8.4	77.6	74.7	63.8	52.0	40.3	-	68.6	8.9	68.6	68.6	59.7	48.3	36.8	-
	62	70.3	8.2	70.3	70.3	70.7	59.0	47.2	35.5	62.5	8.7	62.5	62.5	62.5	52.5	41.0	29.6
	57	73.2	8.2	73.2	73.2	72.4	60.7	49.0	37.3	65.9	8.7	65.9	65.9	65.0	53.5	42.1	30.6
3750	72	88.3	8.6	75.2	62.4	49.7	37.0	-	-	78.5	9.2	69.8	57.3	44.9	32.5	-	-
	67	79.1	8.4	79.1	79.1	67.9	55.2	42.4	-	69.8	8.9	69.8	69.8	63.4	51.0	38.6	-
	62	71.7	8.2	71.7	71.7	71.7	59.0	46.3	33.6	63.6	8.8	63.6	63.6	63.6	51.2	38.7	26.3
	57	74.7	8.2	74.7	74.7	74.7	62.0	49.3	36.5	67.0	8.8	67.0	67.0	67.0	54.6	42.2	29.8

1. These capacities are gross ratings. For net capacity, deduct air blower motor, MBh = 3.415 x kW. Refer to the appropriate Blower Performance Table for the kW of the supply air blower motor.
2. These ratings include the condenser fan motors (total 1 kW) and the compressor motors but not the supply air blower motor.

ZF102 (8.5 Ton)

Air on Evaporator Coil		Temperature of Air on Condenser Coil																	
CFM	WB (°F)	Total Capacity ¹ (MBh)	Total Input (kW) ²	Sensible Capacity (MBh)						Total Capacity ¹ (MBh)	Total Input (kW) ²	Sensible Capacity (MBh)							
				Return Dry Bulb (°F)								Return Dry Bulb (°F)							
				90	85	80	75	70	65			90	85	80	75	70	65		
				75°F						85°F									
2125	77	134.7	6.6	59.8	50.4	41.2	-	-	-	126.8	7.2	55.9	46.6	37.4	-	-	-		
	72	123.6	6.6	72.6	63.5	54.3	45.2	-	-	115.9	7.2	69.5	60.3	51.1	41.8	-	-		
	67	112.5	6.5	85.3	76.5	67.4	58.3	49.2	-	105.1	7.1	83.2	73.9	64.7	55.5	46.3	-		
	62	101.7	6.5	101.7	92.9	81.4	72.2	63.1	54.0	94.8	7.0	94.8	90.4	77.3	68.1	58.8	49.6		
2550	77	139.2	6.5	65.9	55.4	44.9	-	-	-	130.4	7.2	62.0	51.3	40.6	-	-	-		
	72	127.8	6.5	80.2	69.7	59.1	48.6	-	-	119.3	7.2	76.8	66.1	55.5	44.8	-	-		
	67	116.3	6.5	94.4	83.9	73.4	62.9	52.4	-	108.1	7.1	91.6	80.9	70.3	59.6	48.9	-		
	62	105.1	6.5	105.1	99.3	88.5	78.0	67.5	57.0	97.5	7.0	97.5	94.6	83.9	73.3	62.6	51.9		
2975	77	143.8	6.5	72.0	60.4	48.5	-	-	-	134.1	7.3	68.1	56.0	43.8	-	-	-		
	72	131.9	6.5	87.8	75.8	63.9	52.0	-	-	122.6	7.2	84.1	72.0	59.8	47.7	-	-		
	67	120.1	6.5	103.5	91.3	79.4	67.4	55.5	-	111.1	7.2	100.1	88.0	75.8	63.7	51.6	-		
	62	108.6	6.5	108.6	105.6	95.7	83.8	71.9	60.0	100.3	7.1	100.3	98.8	90.6	78.5	66.4	54.3		
3400	77	148.4	6.5	78.1	65.5	52.2	-	-	-	137.7	7.3	74.2	60.6	47.1	-	-	-		
	72	136.1	6.5	95.4	82.0	68.7	55.4	-	-	126.0	7.2	91.4	77.8	64.2	50.7	-	-		
	67	123.9	6.5	112.6	98.6	85.3	72.0	58.7	-	114.2	7.2	108.5	95.0	81.4	67.8	54.3	-		
	62	112.0	6.5	112.0	112.0	102.9	89.6	76.3	63.0	103.0	7.1	103.0	103.0	97.2	83.7	70.1	56.6		
3825	77	148.4	6.5	78.1	65.5	52.2	-	-	-	137.7	7.3	74.2	60.6	47.1	-	-	-		
	72	136.1	6.5	95.4	82.0	68.7	55.4	-	-	126.0	7.2	91.4	77.8	64.2	50.7	-	-		
	67	123.9	6.5	112.6	98.6	85.3	72.0	58.7	-	114.2	7.2	108.5	95.0	81.4	67.8	54.3	-		
	62	112.0	6.5	112.0	112.0	102.9	89.6	76.3	63.0	103.0	7.1	103.0	103.0	97.2	83.7	70.1	56.6		
4250	77	148.4	6.5	78.1	65.5	52.2	-	-	-	137.7	7.3	74.2	60.6	47.1	-	-	-		
	72	136.1	6.5	95.4	82.0	68.7	55.4	-	-	126.0	7.2	91.4	77.8	64.2	50.7	-	-		
	67	123.9	6.5	112.6	98.6	85.3	72.0	58.7	-	114.2	7.2	108.5	95.0	81.4	67.8	54.3	-		
	62	112.0	6.5	112.0	112.0	102.9	89.6	76.3	63.0	103.0	7.1	103.0	103.0	97.2	83.7	70.1	56.6		
3825	72	138.3	6.5	103.1	88.4	73.8	59.1	-	-	128.1	7.2	98.2	83.4	68.6	53.8	-	-		
	67	125.8	6.5	120.2	106.3	91.6	76.9	62.3	-	116.2	7.1	113.3	101.7	87.0	72.2	57.4	-		
	62	113.8	6.4	113.8	113.8	109.2	94.6	79.9	65.3	104.8	7.1	104.8	104.8	101.9	87.1	72.3	57.5		
	57	111.1	6.4	111.1	111.1	110.3	95.6	81.0	66.3	103.3	7.1	103.3	103.3	102.8	88.0	73.2	58.4		
4250	72	140.4	6.5	110.8	94.8	78.8	62.8	-	-	130.3	7.2	105.1	89.0	73.0	57.0	-	-		
	67	127.8	6.4	127.8	113.9	97.9	81.9	65.9	-	118.1	7.1	118.1	108.5	92.5	76.5	60.4	-		
	62	115.5	6.4	115.5	115.5	115.5	99.5	83.6	67.6	106.6	7.0	106.6	106.6	106.6	90.6	74.5	58.5		
	57	112.8	6.4	112.8	112.8	112.8	96.8	80.8	64.8	105.1	7.1	105.1	105.1	105.1	89.0	73.0	57.0		
				95°F						105°F									
2125	77	118.9	7.9	51.9	42.9	33.6	-	-	-	111.0	8.6	44.5	39.1	30.0	-	-	-		
	72	108.3	7.8	66.5	57.1	47.8	38.4	-	-	100.3	8.5	62.0	53.0	43.9	34.8	-	-		
	67	97.7	7.7	81.0	71.3	62.0	52.6	43.3	-	89.7	8.3	79.6	66.9	57.8	48.7	39.7	-		
	62	87.9	7.6	87.9	87.9	73.2	63.9	54.6	45.2	83.0	8.2	83.0	83.0	67.7	58.6	49.6	40.5		
2550	77	121.6	8.0	58.0	47.2	36.4	-	-	-	112.6	8.7	54.1	43.4	32.6	-	-	-		
	72	110.8	7.9	73.4	62.6	51.8	40.9	-	-	101.8	8.5	69.2	58.5	47.8	37.1	-	-		
	67	99.9	7.7	88.8	78.0	67.2	56.3	45.5	-	91.0	8.3	84.3	73.6	62.9	52.2	41.5	-		
	62	90.0	7.6	90.0	90.0	79.3	68.5	57.7	46.9	84.3	8.2	84.3	84.3	73.7	63.0	52.3	41.6		
2975	77	124.4	8.0	64.1	51.5	39.2	-	-	-	114.3	8.7	63.6	47.6	35.3	-	-	-		
	72	113.3	7.9	80.4	68.1	55.8	43.4	-	-	103.3	8.6	76.3	64.0	51.6	39.3	-	-		
	67	102.2	7.8	96.6	84.6	72.3	60.0	47.7	-	92.4	8.4	89.0	80.3	68.0	55.7	43.3	-		
	62	92.0	7.6	92.0	92.0	85.5	73.1	60.8	48.5	85.5	8.2	85.5	85.5	79.6	67.3	55.0	42.6		
3400	77	127.1	8.0	70.2	55.8	42.0	-	-	-	116.0	8.8	73.2	51.9	37.9	-	-	-		
	72	115.8	7.9	87.3	73.5	59.7	45.9	-	-	104.9	8.6	83.5	69.5	55.5	41.5	-	-		
	67	104.5	7.8	104.5	91.3	77.5	63.7	49.9	-	93.8	8.4	93.8	87.1	73.1	59.1	45.1	-		
	62	94.0	7.7	94.0	94.0	91.6	77.8	64.0	50.2	86.8	8.3	86.8	86.8	85.6	71.6	57.7	43.7		
3825	77	127.1	8.0	70.2	55.8	42.0	-	-	-	116.0	8.8	73.2	51.9	37.9	-	-	-		
	72	115.8	7.9	87.3	73.5	59.7	45.9	-	-	104.9	8.6	83.5	69.5	55.5	41.5	-	-		
	67	104.5	7.8	104.5	91.3	77.5	63.7	49.9	-	93.8	8.4	93.8	87.1	73.1	59.1	45.1	-		
	62	94.0	7.7	94.0	94.0	91.6	77.8	64.0	50.2	86.8	8.3	86.8	86.8	85.6	71.6	57.7	43.7		
4250	77	127.1	8.0	70.2	55.8	42.0	-	-	-	116.0	8.8	73.2	51.9	37.9	-	-	-		
	72	115.8	7.9	87.3	73.5	59.7	45.9	-	-	104.9	8.6	83.5	69.5	55.5	41.5	-	-		
	67	104.5	7.8	104.5	91.3	77.5	63.7	49.9	-	93.8	8.4	93.8	87.1	73.1	59.1	45.1	-		
	62	94.0	7.7	94.0	94.0	91.6	77.8	64.0	50.2	86.8	8.3	86.8	86.8	85.6	71.6	57.7	43.7		
3825	72	118.0	7.9	93.3	78.4	63.4	48.5	-	-	107.1	8.6	89.5	74.3	59.2	44.0	-	-		
	67	106.5	7.8	106.5	97.2	82.3	67.4	52.4	-	95.7	8.4	95.7	91.1	77.9	62.8	47.6	-		
	62	95.8	7.7	95.8	95.8	94.6	79.7	64.7	49.8	88.6	8.3	88.6	88.6	88.0	72.9	57.7	42.5		
	57	95.6	7.7	95.6	95.6	95.2	80.3	65.4	50.4	88.9	8.4	88.9	88.9	88.3	73.1	58.0	42.8		
4250	72	120.2	7.9	99.3	83.2	67.1	51.1	-	-	109.3	8.6	95.5	79.2	62.8	46.5	-	-		
	67	108.5	7.8	108.5	103.2	87.1	71.0	54.9	-	97.7	8.5	97.7	95.1	82.7	66.4	50.1	-		
	62	97.6	7.7	97.6	97.6	97.6	81.6	65.5	49.4	90.4	8.3	90.4	90.4	90.4	74.1	57.8	41.4		
	57	97.4	7.7	97.4	97.4	97.4	81.3	65.2	49.1	90.8	8.4	90.8	90.8	90.8	74.4	58.1	41.8		

ZF102 (8.5 Ton) (Continued)

Air on Evaporator Coil		Temperature of Air on Condenser Coil															
CFM	WB (°F)	Total Capacity ¹ (MBh)	Total Input (kW) ²	Sensible Capacity (MBh)						Total Capacity ¹ (MBh)	Total Input (kW) ²	Sensible Capacity (MBh)					
				Return Dry Bulb (°F)								Return Dry Bulb (°F)					
				90	85	80	75	70	65			90	85	80	75	70	65
				115°F						125°F							
2125	77	103.0	9.4	37.0	35.2	26.4	-	-	-	95.1	10.1	32.7	28.3	22.9	-	-	-
	72	92.4	9.1	57.6	48.8	40.0	31.2	-	-	84.4	9.8	53.2	44.7	36.2	27.6	-	-
	67	81.7	8.9	78.2	62.4	53.6	44.8	36.0	-	73.7	9.5	73.7	58.0	49.4	40.9	32.4	-
	62	78.2	8.8	78.2	78.1	62.2	53.4	44.6	35.8	73.3	9.4	73.3	73.2	56.6	48.1	39.6	31.1
2550	77	103.6	9.4	50.1	39.5	28.9	-	-	-	94.6	10.2	48.2	35.6	25.2	-	-	-
	72	92.9	9.2	64.9	54.4	43.8	33.2	-	-	83.9	9.8	60.7	50.2	39.8	29.3	-	-
	67	82.1	8.9	79.8	69.2	58.7	48.1	37.5	-	73.3	9.5	73.3	64.9	54.4	43.9	33.5	-
	62	78.6	8.8	78.6	78.6	68.0	57.4	46.8	36.3	72.9	9.4	72.9	72.9	62.3	51.9	41.4	31.0
	57	79.5	8.9	79.5	77.6	67.0	56.4	45.8	35.3	74.4	9.5	74.4	71.5	60.2	49.7	39.2	28.8
2975	77	104.2	9.5	63.1	43.8	31.4	-	-	-	94.1	10.2	63.6	43.0	27.5	-	-	-
	72	93.4	9.2	72.3	59.9	47.5	35.2	-	-	83.5	9.9	68.2	55.8	43.4	31.0	-	-
	67	82.6	9.0	81.4	76.0	63.7	51.3	38.9	-	72.8	9.6	72.8	71.8	59.4	47.0	34.6	-
	62	79.1	8.9	79.1	79.0	73.8	61.5	49.1	36.7	72.6	9.5	72.6	72.6	68.0	55.6	43.2	30.8
	57	80.0	8.9	80.0	79.0	72.7	60.4	48.0	35.6	74.1	9.5	74.1	72.6	65.7	53.3	40.9	28.5
3400	77	104.8	9.5	76.1	48.0	33.9	-	-	-	93.6	10.3	79.1	50.4	29.8	-	-	-
	72	93.9	9.3	79.6	65.5	51.3	37.1	-	-	83.0	10.0	75.8	61.4	47.1	32.7	-	-
	67	83.1	9.0	83.1	82.9	68.7	54.5	40.4	-	72.4	9.6	72.4	72.4	64.3	50.0	35.6	-
	62	79.5	8.9	79.5	79.5	79.7	65.5	51.3	37.2	72.2	9.5	72.2	72.2	72.2	59.4	45.0	30.7
	57	80.4	9.0	80.4	80.4	78.5	64.3	50.2	36.0	73.7	9.6	73.7	73.7	71.2	56.8	42.5	28.1
3825	72	96.1	9.3	85.7	70.3	54.9	39.5	-	-	85.2	10.0	81.8	66.2	50.6	35.0	-	-
	67	85.0	9.1	85.0	84.9	73.5	58.2	42.8	-	74.3	9.7	74.3	74.3	69.2	53.6	38.0	-
	62	81.4	8.9	81.4	81.4	81.4	66.1	50.7	35.3	74.1	9.6	74.1	74.1	74.1	59.3	43.7	28.1
	57	82.3	9.0	82.3	82.3	81.3	66.0	50.6	35.2	75.7	9.6	75.7	75.7	74.4	58.8	43.2	27.6
4250	72	98.3	9.3	91.7	75.1	58.5	41.9	-	-	87.4	10.0	87.4	71.0	54.2	37.3	-	-
	67	87.0	9.1	87.0	87.0	78.4	61.8	45.2	-	76.2	9.7	76.2	76.2	74.0	57.1	40.3	-
	62	83.2	9.0	83.2	83.2	83.2	66.6	50.0	33.4	76.0	9.6	76.0	76.0	76.0	59.2	42.3	25.5
	57	84.2	9.0	84.2	84.2	84.2	67.6	51.0	34.4	77.6	9.6	77.6	77.6	77.6	60.7	43.9	27.0

1. These capacities are gross ratings. For net capacity, deduct air blower motor, MBh = 3.415 x kW. Refer to the appropriate Blower Performance Table for the kW of the supply air blower motor.
2. These ratings include the condenser fan motors (total 1 kW) and the compressor motors but not the supply air blower motor.

ZF120 (10 Ton)

Air on Evaporator Coil		Temperature of Air on Condenser Coil																	
CFM	WB (°F)	Total Capacity ¹ (MBh)	Total Input (kW) ²	Sensible Capacity (MBh)						Total Capacity ¹ (MBh)	Total Input (kW) ²	Sensible Capacity (MBh)							
				Return Dry Bulb (°F)								Return Dry Bulb (°F)							
				90	85	80	75	70	65			90	85	80	75	70	65		
				75°F						85°F									
2500	77	165.2	7.4	67.4	56.3	45.3	-	-	-	153.8	8.3	62.7	51.8	40.9	-	-	-		
	72	149.2	7.5	84.0	72.9	61.8	50.8	-	-	138.9	8.3	79.2	68.3	57.4	46.5	-	-		
	67	133.2	7.5	100.5	89.4	78.4	67.3	56.3	-	124.0	8.2	95.7	84.8	73.9	63.0	52.1	-		
	62	121.8	7.5	121.8	105.9	93.0	82.0	70.9	59.8	112.8	8.2	112.8	103.2	88.0	77.1	66.2	55.3		
3000	77	170.9	7.4	76.4	63.0	49.7	-	-	-	159.0	8.3	71.2	58.2	45.2	-	-	-		
	72	154.3	7.4	94.5	81.2	67.8	54.5	-	-	143.5	8.3	89.4	76.4	63.4	50.4	-	-		
	67	137.7	7.4	112.6	99.3	86.0	72.7	59.3	-	128.1	8.2	107.6	94.6	81.6	68.5	55.5	-		
	62	125.9	7.5	125.9	115.4	102.0	88.7	75.4	62.1	116.5	8.2	116.5	110.1	97.1	84.1	71.1	58.0		
3500	77	176.6	7.4	85.3	69.7	54.1	-	-	-	164.1	8.3	79.7	64.6	49.4	-	-	-		
	72	159.4	7.4	105.0	89.5	73.9	58.3	-	-	148.2	8.3	99.6	84.5	69.3	54.2	-	-		
	67	142.3	7.4	124.8	109.2	93.6	78.0	62.4	-	132.3	8.2	119.5	104.3	89.2	74.1	58.9	-		
	62	130.1	7.5	130.1	124.8	111.1	95.5	79.9	64.3	120.3	8.2	120.3	117.1	106.2	91.1	75.9	60.8		
4000	77	182.2	7.3	94.3	76.4	58.6	-	-	-	169.2	8.3	88.2	70.9	53.7	-	-	-		
	72	164.5	7.4	115.6	97.7	79.9	62.0	-	-	152.8	8.3	109.8	92.5	75.3	58.0	-	-		
	67	146.8	7.4	136.9	119.1	101.2	83.3	65.5	-	136.4	8.2	131.4	114.1	96.9	79.6	62.3	-		
	62	134.3	7.4	134.3	134.3	120.1	102.2	84.4	66.5	124.1	8.2	124.1	124.1	115.3	98.0	80.8	63.5		
4500	77	182.2	7.4	128.2	128.2	129.1	111.3	93.4	75.5	119.9	8.2	119.9	119.9	121.0	103.7	86.4	69.2		
	72	168.0	7.4	124.0	104.8	85.6	66.4	-	-	155.6	8.3	117.7	99.1	80.5	61.8	-	-		
	67	149.9	7.4	144.9	127.7	108.5	89.2	70.0	-	138.9	8.3	136.4	122.2	103.5	84.9	66.3	-		
	62	137.1	7.4	137.1	137.1	130.0	110.8	91.5	72.3	126.3	8.2	126.3	126.3	122.0	103.3	84.7	66.0		
5000	77	130.9	7.4	130.9	130.9	131.3	112.1	92.9	73.7	122.1	8.2	122.1	122.1	122.6	104.0	85.4	66.7		
	72	171.4	7.4	132.5	111.9	91.3	70.7	-	-	158.4	8.3	125.7	105.7	85.7	65.6	-	-		
	67	153.0	7.4	153.0	136.3	115.7	95.1	74.5	-	141.4	8.3	141.4	130.2	110.2	90.2	70.2	-		
	62	139.9	7.5	139.9	139.9	139.9	119.3	98.7	78.1	128.6	8.2	128.6	128.6	128.6	108.6	88.6	68.6		
57	133.5	7.4	133.5	133.5	133.5	113.0	92.4	71.8	124.3	8.2	124.3	124.3	124.3	104.3	84.3	64.2			
				95°F						105°F									
2500	77	142.4	9.2	58.1	47.3	36.6	-	-	-	129.8	10.2	56.2	45.6	34.9	-	-	-		
	72	128.6	9.1	74.5	63.7	53.0	42.3	-	-	117.4	9.9	74.6	63.8	53.1	42.4	-	-		
	67	114.8	9.0	90.9	80.2	69.4	58.7	48.0	-	104.9	9.7	93.0	82.1	71.4	60.6	49.9	-		
	62	103.8	8.8	103.8	100.4	83.0	72.3	61.5	50.8	94.6	9.5	94.6	92.9	82.3	71.6	60.8	50.1		
3000	77	147.0	9.2	66.1	53.4	40.7	-	-	-	133.5	10.2	65.1	50.3	37.6	-	-	-		
	72	132.8	9.1	84.3	71.6	58.9	46.2	-	-	120.8	10.0	82.5	69.8	57.1	44.5	-	-		
	67	118.6	9.0	102.5	89.8	77.1	64.4	51.7	-	108.0	9.8	100.0	89.4	76.7	64.0	51.3	-		
	62	107.1	8.9	107.1	104.9	92.2	79.5	66.7	54.0	97.3	9.5	97.3	96.2	89.9	77.2	64.5	51.8		
57	105.0	8.9	105.0	105.0	94.1	81.4	68.7	56.0	97.9	9.6	97.9	97.9	91.0	78.3	65.6	52.9			
3500	77	151.6	9.3	74.1	59.4	44.7	-	-	-	137.3	10.3	74.0	54.9	40.3	-	-	-		
	72	137.0	9.2	94.2	79.5	64.8	50.1	-	-	124.1	10.1	90.5	75.8	61.2	46.5	-	-		
	67	122.3	9.1	114.2	99.5	84.8	70.1	55.4	-	111.0	9.8	106.9	96.7	82.0	67.4	52.7	-		
	62	110.5	8.9	110.5	109.4	101.4	86.7	72.0	57.3	100.1	9.6	100.1	99.5	97.4	82.8	68.1	53.5		
57	108.3	8.9	108.3	108.3	103.5	88.8	74.1	59.4	100.6	9.7	100.6	100.6	97.4	82.7	68.1	53.4			
4000	77	156.2	9.3	82.1	65.4	48.8	-	-	-	141.0	10.4	82.9	59.6	43.0	-	-	-		
	72	141.1	9.2	104.0	87.3	70.6	54.0	-	-	127.5	10.1	98.4	81.8	65.2	48.6	-	-		
	67	126.0	9.1	125.9	109.2	92.5	75.8	59.1	-	114.0	9.9	113.9	104.0	87.4	70.8	54.2	-		
	62	113.9	8.9	113.9	113.9	110.5	93.9	77.2	60.5	102.8	9.7	102.8	102.8	105.0	88.4	71.8	55.2		
57	111.6	8.9	111.6	111.6	112.9	96.2	79.5	62.8	103.4	9.7	103.4	103.4	103.8	87.2	70.6	54.0			
4500	72	143.3	9.2	111.4	93.4	75.3	57.2	-	-	129.6	10.2	105.3	87.4	69.5	51.5	-	-		
	67	127.9	9.1	127.9	116.7	98.6	80.6	62.5	-	115.9	9.9	115.8	109.5	93.1	75.2	57.2	-		
	62	115.6	9.0	115.6	115.6	114.0	95.9	77.8	59.7	104.5	9.7	104.5	104.5	105.6	87.6	69.7	51.8		
	57	113.3	9.0	113.3	113.3	114.0	95.9	77.8	59.7	105.1	9.7	105.1	105.1	105.3	87.4	69.4	51.5		
5000	72	145.5	9.2	118.9	99.4	80.0	60.5	-	-	131.7	10.2	112.2	93.0	73.7	54.5	-	-		
	67	129.9	9.1	129.9	124.2	104.8	85.3	65.8	-	117.7	9.9	117.7	114.9	98.8	79.5	60.3	-		
	62	117.4	9.0	117.4	117.4	117.4	97.9	78.4	59.0	106.2	9.7	106.2	106.2	106.2	86.9	67.6	48.4		
	57	115.1	9.0	115.1	115.1	115.1	95.6	76.1	56.7	106.8	9.8	106.8	106.8	106.8	87.5	68.3	49.0		

ZF120 (10 Ton) (Continued)

Air on Evaporator Coil		Temperature of Air on Condenser Coil															
CFM	WB (°F)	Total Capacity ¹ (MBh)	Total Input (kW) ²	Sensible Capacity (MBh)						Total Capacity ¹ (MBh)	Total Input (kW) ²	Sensible Capacity (MBh)					
				Return Dry Bulb (°F)								Return Dry Bulb (°F)					
				90	85	80	75	70	65			90	85	80	75	70	65
				115°F						125°F							
2500	77	117.2	11.2	54.3	43.9	33.2	-	-	-	104.6	12.1	64.4	42.9	31.5	-	-	-
	72	106.1	10.8	74.7	63.9	53.2	42.5	-	-	94.9	11.6	74.8	64.0	53.3	42.6	-	-
	67	95.0	10.4	95.0	84.0	73.3	62.6	51.8	-	85.2	11.1	85.2	85.2	75.2	64.5	53.8	-
	62	85.5	10.1	85.5	85.5	81.6	70.9	60.1	49.4	76.3	10.8	76.3	76.3	76.3	70.2	59.4	48.7
3000	77	120.1	11.2	64.1	47.2	34.5	-	-	-	106.6	12.3	71.1	45.8	31.5	-	-	-
	72	108.7	10.9	80.7	68.1	55.4	42.7	-	-	96.7	11.7	78.9	66.3	53.7	41.0	-	-
	67	97.4	10.5	97.4	88.9	76.3	63.6	51.0	-	86.8	11.2	86.8	86.8	75.9	63.2	50.6	-
	62	87.5	10.2	87.5	87.5	87.5	74.9	62.2	49.6	77.7	10.9	77.7	77.7	77.7	72.6	60.0	47.3
	57	90.8	10.3	90.8	90.8	87.8	75.2	62.5	49.8	83.7	11.0	83.7	83.7	83.7	72.1	59.4	46.8
3500	77	122.9	11.3	73.9	50.5	35.9	-	-	-	108.6	12.4	77.9	48.7	31.5	-	-	-
	72	111.3	10.9	86.8	72.2	57.6	43.0	-	-	98.5	11.8	83.1	68.6	54.0	39.4	-	-
	67	99.7	10.6	99.7	93.9	79.3	64.7	50.1	-	88.4	11.3	88.4	88.4	76.5	62.0	47.4	-
	62	89.6	10.3	89.6	89.6	93.5	78.9	64.3	49.7	79.2	11.0	79.2	79.2	79.2	75.0	60.5	45.9
	57	93.0	10.4	93.0	93.0	91.3	76.7	62.1	47.5	85.3	11.1	85.3	85.3	85.2	70.6	56.1	41.5
4000	77	125.8	11.4	83.7	53.8	37.2	-	-	-	110.6	12.5	84.6	51.6	31.5	-	-	-
	72	113.9	11.0	92.9	76.3	59.8	43.2	-	-	100.3	11.9	87.3	70.8	54.3	37.8	-	-
	67	102.0	10.6	102.0	98.8	82.3	65.7	49.2	-	90.0	11.4	90.0	90.0	77.2	60.7	44.2	-
	62	91.7	10.4	91.7	91.7	99.5	82.9	66.4	49.8	80.6	11.1	80.6	80.6	80.6	77.4	61.0	44.5
	57	95.1	10.5	95.1	95.1	94.7	78.2	61.6	45.1	86.9	11.2	86.9	86.9	85.7	69.2	52.7	36.2
4500	72	115.9	11.1	99.2	81.4	63.6	45.8	-	-	102.2	12.0	93.1	75.4	57.7	40.1	-	-
	67	103.8	10.7	103.8	102.2	87.6	69.8	52.0	-	91.7	11.5	91.7	91.7	82.0	64.4	46.7	-
	62	93.3	10.4	93.3	93.3	97.2	79.4	61.6	43.8	82.2	11.1	82.2	82.2	82.2	71.2	53.5	35.8
	57	96.8	10.5	96.8	96.8	96.6	78.8	61.0	43.2	88.5	11.3	88.5	88.5	87.9	70.3	52.6	34.9
5000	72	117.9	11.1	105.5	86.5	67.4	48.4	-	-	104.2	12.1	98.9	80.0	61.2	42.3	-	-
	67	105.6	10.7	105.6	105.6	92.8	73.8	54.7	-	93.5	11.5	93.5	93.5	86.9	68.0	49.2	-
	62	95.0	10.5	95.0	95.0	95.0	75.9	56.8	37.8	83.7	11.2	83.7	83.7	83.7	64.9	46.0	27.2
	57	98.5	10.6	98.5	98.5	98.5	79.4	60.4	41.3	90.2	11.3	90.2	90.2	90.2	71.4	52.5	33.7

1. These capacities are gross ratings. For net capacity, deduct air blower motor, MBh = 3.415 x kW. Refer to the appropriate Blower Performance Table for the kW of the supply air blower motor.
2. These ratings include the condenser fan motors (total 1 kW) and the compressor motors but not the supply air blower motor.

ZF150 (12.5 Ton)

Air on Evaporator Coil		Temperature of Air on Condenser Coil																	
CFM	WB (°F)	Total Capacity ¹ (MBh)	Total Input (kW) ²	Sensible Capacity (MBh)						Total Capacity ¹ (MBh)	Total Input (kW) ²	Sensible Capacity (MBh)							
				Return Dry Bulb (°F)								Return Dry Bulb (°F)							
				90	85	80	75	70	65			90	85	80	75	70	65		
				75°F						85°F									
3125	77	192.8	10.1	75.6	62.8	49.9	-	-	-	185.3	11.1	73.4	60.7	48.0	-	-	-		
	72	179.7	9.8	99.3	86.4	73.5	60.6	-	-	171.3	10.9	96.2	83.5	70.8	58.1	-	-		
	67	166.6	9.6	122.9	110.0	97.1	84.3	71.4	-	157.2	10.7	119.1	106.4	93.6	80.9	68.2	-		
	62	150.6	9.5	150.6	133.0	119.1	106.2	93.3	80.4	142.2	10.6	142.2	132.0	115.5	102.8	90.1	77.4		
3750	77	200.7	10.1	83.8	69.2	54.6	-	-	-	192.2	11.1	81.3	66.8	52.4	-	-	-		
	72	187.1	9.9	109.7	95.1	80.5	66.0	-	-	177.6	10.9	106.2	91.8	77.4	63.0	-	-		
	67	173.4	9.6	135.6	121.0	106.5	91.9	77.3	-	163.0	10.8	131.2	116.8	102.4	88.0	73.5	-		
	62	156.8	9.5	156.8	145.1	130.5	115.9	101.3	86.7	147.5	10.6	147.5	140.7	126.3	111.9	97.4	83.0		
57	152.3	9.5	152.3	152.3	138.3	123.7	109.1	94.5	144.4	10.6	144.4	144.4	132.5	118.1	103.7	89.3			
4375	77	208.7	10.1	92.0	75.7	59.4	-	-	-	199.1	11.2	89.2	73.0	56.9	-	-	-		
	72	194.5	9.9	120.2	103.9	87.6	71.3	-	-	184.0	11.0	116.3	100.1	84.0	67.9	-	-		
	67	180.2	9.7	148.3	132.1	115.8	99.5	83.2	-	168.9	10.8	143.4	127.2	111.1	95.0	78.8	-		
	62	163.0	9.6	163.0	157.1	141.9	125.6	109.3	93.0	152.8	10.7	152.8	149.4	137.0	120.9	104.8	88.6		
57	158.3	9.5	158.3	158.3	150.4	134.1	117.8	101.5	149.5	10.6	149.5	149.5	143.9	127.7	111.6	95.4			
5000	77	216.6	10.1	100.2	82.2	64.2	-	-	-	206.0	11.2	97.1	79.2	61.4	-	-	-		
	72	201.8	9.9	130.6	112.6	94.6	76.7	-	-	190.3	11.0	126.3	108.5	90.6	72.8	-	-		
	67	187.1	9.7	161.1	143.1	125.1	107.1	89.1	-	174.7	10.8	155.5	137.7	119.8	102.0	84.1	-		
	62	169.2	9.6	169.2	169.2	153.3	135.3	117.3	99.3	158.1	10.7	158.1	158.1	147.8	130.0	112.1	94.3		
57	164.3	9.6	164.3	164.3	162.5	144.5	126.5	108.5	154.7	10.7	154.7	154.7	155.2	137.3	119.5	101.6			
5625	72	203.6	9.9	138.4	119.4	100.5	81.5	-	-	193.2	11.1	134.4	115.4	96.4	77.5	-	-		
	67	188.7	9.7	171.4	151.7	132.8	113.8	94.8	-	177.3	10.9	165.5	146.5	127.6	108.6	89.6	-		
	62	170.7	9.6	170.7	170.7	162.7	143.8	124.8	105.8	160.4	10.8	160.4	160.4	155.3	136.3	117.3	98.3		
	57	165.7	9.6	165.7	165.7	164.8	145.8	126.9	107.9	157.0	10.7	157.0	157.0	157.2	138.2	119.2	100.3		
6250	72	205.4	10.0	146.2	126.2	106.3	86.3	-	-	196.0	11.1	142.5	122.4	102.3	82.1	-	-		
	67	190.4	9.8	181.6	160.4	140.4	120.5	100.5	-	179.9	10.9	175.5	155.4	135.3	115.1	95.0	-		
	62	172.2	9.7	172.2	172.2	172.2	152.2	132.2	112.3	162.8	10.8	162.8	162.8	162.8	142.7	122.5	102.4		
	57	167.2	9.7	167.2	167.2	167.2	147.2	127.2	107.3	159.3	10.8	159.3	159.3	159.3	139.2	119.0	98.9		
				95°F						105°F									
3125	77	177.9	12.1	71.1	58.6	46.0	-	-	-	165.4	13.5	65.9	53.7	41.2	-	-	-		
	72	162.8	12.0	93.2	80.6	68.1	55.6	-	-	151.1	13.4	88.4	75.9	63.4	51.0	-	-		
	67	147.8	11.8	115.2	102.7	90.1	77.6	65.1	-	136.8	13.3	111.0	98.2	85.7	73.2	60.7	-		
	62	133.8	11.7	133.8	131.0	111.9	99.4	86.9	74.3	125.4	13.1	125.4	124.0	106.1	93.6	81.1	68.6		
3750	77	183.7	12.2	78.7	64.5	50.2	-	-	-	170.9	13.5	73.4	59.2	45.1	-	-	-		
	72	168.2	12.0	102.8	88.5	74.3	60.0	-	-	156.1	13.4	97.7	83.6	69.4	55.3	-	-		
	67	152.6	11.9	126.8	112.6	98.3	84.0	69.8	-	141.4	13.3	122.1	107.9	93.8	79.6	65.5	-		
	62	138.2	11.7	138.2	136.3	122.1	107.8	93.5	79.3	129.6	13.1	129.6	128.7	116.1	102.0	87.8	73.7		
57	136.4	11.7	136.4	136.4	126.8	112.5	98.3	84.0	127.8	13.1	127.8	127.8	118.7	104.6	90.4	76.3			
4375	77	189.6	12.2	86.3	70.3	54.4	-	-	-	176.4	13.6	80.9	64.8	49.0	-	-	-		
	72	173.5	12.1	112.4	96.4	80.4	64.4	-	-	161.2	13.5	107.0	91.2	75.4	59.6	-	-		
	67	157.5	11.9	138.4	122.4	106.5	90.5	74.5	-	145.9	13.3	133.2	117.7	101.9	86.1	70.3	-		
	62	142.6	11.8	142.6	141.7	132.2	116.2	100.2	84.2	133.8	13.2	133.8	133.3	126.2	110.4	94.6	78.8		
57	140.7	11.8	140.7	140.7	137.3	121.3	105.4	89.4	131.9	13.2	131.9	131.9	129.0	113.2	97.4	81.6			
5000	77	195.4	12.3	93.9	76.2	58.5	-	-	-	181.9	13.6	88.4	70.3	52.9	-	-	-		
	72	178.9	12.1	122.0	104.3	86.6	68.9	-	-	166.2	13.5	116.3	98.9	81.4	64.0	-	-		
	67	162.3	12.0	150.0	132.3	114.6	96.9	79.2	-	150.5	13.4	144.3	127.5	110.0	92.5	75.1	-		
	62	147.0	11.8	147.0	147.0	142.3	124.6	106.9	89.2	138.0	13.2	138.0	138.0	136.2	118.7	101.3	83.8		
57	145.1	11.8	145.1	145.1	147.8	130.1	112.4	94.7	136.0	13.2	136.0	136.0	139.2	121.8	104.3	86.9			
5625	72	182.7	12.2	130.4	111.4	92.4	73.4	-	-	169.5	13.5	124.3	105.6	86.9	68.2	-	-		
	67	165.9	12.0	159.7	141.3	122.3	103.4	84.4	-	153.5	13.4	150.4	136.1	117.4	98.7	80.0	-		
	62	150.2	11.9	150.2	150.2	147.9	128.9	109.9	90.9	140.7	13.2	140.7	140.7	139.8	121.1	102.4	83.7		
	57	148.2	11.8	148.2	148.2	149.6	130.6	111.6	92.6	138.7	13.2	138.7	138.7	140.3	121.6	102.9	84.2		
6250	72	186.6	12.2	138.8	118.5	98.3	78.0	-	-	172.8	13.5	132.3	112.4	92.4	72.5	-	-		
	67	169.4	12.0	169.4	150.4	130.1	109.8	89.5	-	156.5	13.4	156.5	144.8	124.8	104.9	84.9	-		
	62	153.4	11.9	153.4	153.4	153.4	133.1	112.8	92.5	143.4	13.2	143.4	143.4	143.4	123.5	103.5	83.6		
	57	151.4	11.9	151.4	151.4	151.4	131.1	110.8	90.5	141.4	13.2	141.4	141.4	141.4	121.4	101.5	81.5		

ZF150 (12.5 Ton) (Continued)

Air on Evaporator Coil		Temperature of Air on Condenser Coil															
CFM	WB (°F)	Total Capacity ¹ (MBh)	Total Input (kW) ²	Sensible Capacity (MBh)						Total Capacity ¹ (MBh)	Total Input (kW) ²	Sensible Capacity (MBh)					
				Return Dry Bulb (°F)								Return Dry Bulb (°F)					
				90	85	80	75	70	65			90	85	80	75	70	65
				115°F						125°F							
3125	77	152.8	14.9	60.7	48.8	36.4	-	-	-	140.3	16.2	52.4	44.0	31.5	-	-	-
	72	139.4	14.8	83.7	71.3	58.8	46.3	-	-	127.6	16.2	79.0	66.6	54.2	41.7	-	-
	67	125.9	14.7	106.7	93.7	81.2	68.8	56.3	-	114.9	16.1	102.4	89.2	76.8	64.4	51.9	-
	62	117.0	14.5	117.0	117.0	100.3	87.8	75.4	62.9	108.6	15.9	108.6	108.6	94.4	82.0	69.6	57.2
3750	77	158.0	14.9	68.1	54.0	40.0	-	-	-	145.1	16.3	62.7	48.8	34.9	-	-	-
	72	144.1	14.8	92.7	78.7	64.6	50.6	-	-	132.0	16.2	87.7	73.8	59.8	45.9	-	-
	67	130.1	14.7	117.4	103.3	89.3	75.2	-	-	118.9	16.1	112.6	98.7	84.8	70.8	56.9	-
	62	121.0	14.5	121.0	121.0	110.2	96.2	82.1	68.1	112.4	15.9	112.4	112.4	104.3	90.3	76.4	62.5
	57	119.1	14.6	119.1	119.1	110.7	96.6	82.6	68.5	110.5	16.0	110.5	110.5	102.6	88.6	74.7	60.8
4375	77	163.2	14.9	75.4	59.2	43.6	-	-	-	150.0	16.3	73.0	53.7	38.2	-	-	-
	72	148.8	14.8	101.7	86.1	70.5	54.8	-	-	136.4	16.2	96.4	80.9	65.5	50.0	-	-
	67	134.4	14.7	128.0	113.0	97.3	81.7	-	-	122.9	16.1	122.8	108.2	92.8	77.3	61.9	-
	62	125.0	14.6	125.0	125.0	120.1	104.5	88.9	73.3	116.1	15.9	116.1	116.1	114.1	98.7	83.2	67.8
	57	123.0	14.6	123.0	123.0	120.6	105.0	89.4	73.8	114.2	16.0	114.2	114.2	112.3	96.8	81.4	66.0
5000	77	168.3	15.0	82.8	64.4	47.2	-	-	-	154.8	16.3	83.3	58.5	41.5	-	-	-
	72	153.5	14.9	110.7	93.5	76.3	59.1	-	-	140.8	16.3	105.1	88.1	71.2	54.2	-	-
	67	138.7	14.8	138.7	122.6	105.4	88.2	71.0	-	126.8	16.2	126.8	117.7	100.8	83.8	66.8	-
	62	128.9	14.6	128.9	128.9	130.1	112.9	95.7	78.4	119.9	16.0	119.9	119.9	119.9	107.0	90.0	73.1
	57	126.9	14.6	126.9	126.9	130.6	113.4	96.2	79.0	117.9	16.0	117.9	117.9	117.9	105.0	88.1	71.1
5625	72	156.2	14.9	118.3	99.9	81.4	63.0	-	-	143.0	16.2	112.2	94.1	75.9	57.8	-	-
	67	141.1	14.8	141.1	130.9	112.5	94.1	75.6	-	128.7	16.2	128.7	125.7	107.6	89.4	71.3	-
	62	131.2	14.6	131.2	131.2	131.8	113.3	94.9	76.5	121.7	16.0	121.7	121.7	121.7	105.6	87.5	69.3
	57	129.2	14.6	129.2	129.2	131.0	112.6	94.2	75.7	119.6	16.0	119.6	119.6	119.6	103.6	85.4	67.3
6250	72	158.9	14.9	125.8	106.2	86.6	66.9	-	-	145.1	16.2	119.4	100.0	80.7	61.4	-	-
	67	143.6	14.8	143.6	139.2	119.6	99.9	80.3	-	130.6	16.2	130.6	130.6	114.3	95.0	75.7	-
	62	133.5	14.6	133.5	133.5	133.5	113.8	94.2	74.6	123.5	16.0	123.5	123.5	123.5	104.2	84.9	65.6
	57	131.4	14.6	131.4	131.4	131.4	111.8	92.1	72.5	121.4	16.0	121.4	121.4	121.4	102.1	82.8	63.5

1. These capacities are gross ratings. For net capacity, deduct air blower motor, MBh = 3.415 x kW. Refer to the appropriate Blower Performance Table for the kW of the supply air blower motor.
2. These ratings include the condenser fan motors (total 1 kW) and the compressor motors but not the supply air blower motor.

Airflow Performance

ZF078-150 Side Duct Application

ZF078 (6.5 Ton) Side Duct

Air Flow (CFM)	Available External Static Pressure - IWG ¹																			
	0.2		0.4		0.6		0.8		1.0		1.2		1.4		1.6		1.8		2.0	
	RPM	BHP	RPM	BHP	RPM	BHP	RPM	BHP	RPM	BHP	RPM	BHP	RPM	BHP	RPM	BHP	RPM	BHP	RPM	BHP
	Field Supplied Drive						Standard 1.5 HP & Drive						Hi Static 2 HP & Drive							
1800	751	0.22	813	0.43	872	0.62	929	0.78	985	0.93	1040	1.07	1095	1.20	1150	1.33	1206	1.46	1265	1.59
2000	776	0.35	838	0.56	897	0.75	954	0.92	1010	1.07	1064	1.20	1119	1.33	1175	1.46	1231	1.59	1289	1.72
2200	804	0.50	866	0.71	925	0.90	982	1.06	1038	1.21	1092	1.35	1147	1.48	1203	1.61	1259	1.73	1317	1.87
2400	835	0.66	897	0.87	956	1.06	1013	1.22	1069	1.37	1124	1.51	1178	1.64	1234	1.77	1290	1.90	1348	2.03
2600	869	0.84	931	1.05	990	1.24	1047	1.40	1103	1.55	1158	1.69	1212	1.82	1268	1.95	1324	2.07	1382	2.21
2800	906	1.03	968	1.25	1027	1.43	1084	1.60	1139	1.75	1194	1.89	1249	2.02	1304	2.14	1361	2.27	-	-
3000	945	1.25	1007	1.46	1066	1.65	1123	1.81	1179	1.96	1234	2.10	1288	2.23	-	-	-	-	-	-
3200	987	1.48	1048	1.69	1107	1.88	1165	2.04	1220	2.19	-	-	-	-	-	-	-	-	-	-
3400	1030	1.73	1092	1.94	1151	2.12	1208	2.29	-	-	-	-	-	-	-	-	-	-	-	-
	2 HP & Field Supplied Drive																			

1. Blower performance includes gas heat exchangers and 2" filters. See STATIC RESISTANCE table for additional applications.
2. See RPM SELECTION table to determine desired motor sheave setting and to determine the maximum continuous BHP.
3. kW = BHP x 0.932.

ZF090 (7.5 Ton) Side Duct

Air Flow (CFM)	Available External Static Pressure - IWG ¹																			
	0.2		0.4		0.6		0.8		1.0		1.2		1.4		1.6		1.8		2.0	
	RPM	BHP	RPM	BHP	RPM	BHP	RPM	BHP	RPM	BHP	RPM	BHP	RPM	BHP	RPM	BHP	RPM	BHP	RPM	BHP
	Field Supplied Drive				Standard 1.5 HP & Drive				Hi Static 3 HP & Drive											
2000	776	0.35	838	0.56	897	0.75	954	0.92	1010	1.07	1064	1.20	1119	1.33	1175	1.46	1231	1.59	1289	1.72
2200	804	0.50	866	0.71	925	0.90	982	1.06	1038	1.21	1092	1.35	1147	1.48	1203	1.61	1259	1.73	1317	1.87
2400	835	0.66	897	0.87	956	1.06	1013	1.22	1069	1.37	1124	1.51	1178	1.64	1234	1.77	1290	1.90	1348	2.03
2600	869	0.84	931	1.05	990	1.24	1047	1.40	1103	1.55	1158	1.69	1212	1.82	1268	1.95	1324	2.07	1382	2.21
2800	906	1.03	968	1.25	1027	1.43	1084	1.60	1139	1.75	1194	1.89	1249	2.02	1304	2.14	1361	2.27	1419	2.40
3000	945	1.25	1007	1.46	1066	1.65	1123	1.81	1179	1.96	1234	2.10	1288	2.23	1344	2.36	1400	2.48	1458	2.62
3200	987	1.48	1048	1.69	1107	1.88	1165	2.04	1220	2.19	1275	2.33	1330	2.46	1385	2.59	1442	2.71	1500	2.85
3400	1030	1.73	1092	1.94	1151	2.12	1208	2.29	1264	2.44	1319	2.58	1374	2.71	1429	2.84	1485	2.96	1544	3.10
3600	1076	1.99	1138	2.20	1197	2.39	1254	2.56	1310	2.71	1364	2.84	1419	2.97	1475	3.10	1531	3.23	1589	3.36
3800	1124	2.27	1185	2.48	1245	2.67	1302	2.84	1357	2.99	1412	3.12	1467	3.25	1522	3.38	-	-	-	-
	3 HP & Field Supplied Drive																			

1. Blower performance includes gas heat exchangers and 2" filters. See STATIC RESISTANCE table for additional applications.
2. See RPM SELECTION table to determine desired motor sheave setting and to determine the maximum continuous BHP.
3. kW = BHP x 0.932.

ZF102 (8.5 Ton) Side Duct

Air Flow (CFM)	Available External Static Pressure - IWG ¹																			
	0.2		0.4		0.6		0.8		1.0		1.2		1.4		1.6		1.8		2.0	
	RPM	BHP	RPM	BHP	RPM	BHP	RPM	BHP	RPM	BHP	RPM	BHP	RPM	BHP	RPM	BHP	RPM	BHP	RPM	BHP
	Field Supplied Drive				Standard 2 HP & Drive				Hi Static 3 HP & Drive											
2600	628	0.56	678	0.76	730	0.93	781	1.09	833	1.25	883	1.41	933	1.59	980	1.80	1025	2.05	1068	2.35
2800	648	0.67	698	0.87	750	1.04	801	1.20	853	1.36	903	1.52	953	1.70	1000	1.91	1046	2.16	1088	2.46
3000	666	0.80	717	1.00	768	1.17	820	1.33	871	1.49	922	1.65	971	1.83	1019	2.04	1064	2.29	1106	2.59
3200	684	0.95	735	1.15	786	1.32	838	1.48	889	1.63	940	1.80	989	1.98	1037	2.19	1082	2.44	1124	2.74
3400	702	1.11	753	1.31	804	1.48	856	1.64	907	1.79	958	1.96	1007	2.14	1055	2.35	1100	2.60	1142	2.90
3600	721	1.28	772	1.48	824	1.65	875	1.81	927	1.97	977	2.13	1027	2.31	1074	2.52	1119	2.77	-	-
3800	742	1.47	793	1.67	844	1.84	896	2.00	947	2.15	998	2.32	1047	2.50	1095	2.71	1140	2.96	-	-
4000	765	1.67	815	1.86	867	2.04	918	2.19	970	2.35	1020	2.51	1070	2.70	1117	2.91	-	-	-	-
4200	789	1.87	840	2.07	891	2.24	943	2.40	995	2.56	1045	2.72	1094	2.90	-	-	-	-	-	-
	3 HP & Field Supplied Drive																			

1. Blower performance includes gas heat exchangers and 2" filters. See STATIC RESISTANCE table for additional applications.
2. See RPM SELECTION table to determine desired motor sheave setting and to determine the maximum continuous BHP.
3. kW = BHP x 0.932.

ZF120 (10 Ton) Side Duct

Air Flow (CFM)	Available External Static Pressure - IWG ¹																			
	0.2		0.4		0.6		0.8		1.0		1.2		1.4		1.6		1.8		2.0	
	RPM	BHP	RPM	BHP	RPM	BHP	RPM	BHP	RPM	BHP	RPM	BHP	RPM	BHP	RPM	BHP	RPM	BHP	RPM	BHP
	Field Supplied Drive				Standard 2 HP & Drive								Hi Static 3 HP & Drive							
2600	675	0.53	726	0.74	776	0.94	824	1.12	870	1.30	914	1.48	957	1.65	1000	1.82	1041	1.99	1082	2.17
2800	686	0.63	738	0.84	787	1.04	835	1.23	881	1.41	925	1.58	969	1.76	1011	1.93	1052	2.10	1093	2.27
3000	699	0.75	750	0.96	800	1.16	847	1.34	893	1.52	938	1.70	981	1.87	1024	2.04	1065	2.21	1106	2.39
3200	713	0.88	764	1.09	814	1.28	861	1.47	907	1.65	952	1.83	995	2.00	1037	2.17	1079	2.34	1119	2.52
3400	728	1.02	779	1.23	829	1.43	877	1.61	923	1.79	967	1.97	1010	2.14	1053	2.31	1094	2.48	1135	2.66
3600	745	1.18	796	1.39	846	1.59	893	1.77	939	1.95	984	2.13	1027	2.30	1069	2.47	1111	2.64	1152	2.82
3800	763	1.36	815	1.57	864	1.76	912	1.95	958	2.13	1002	2.31	1046	2.48	1088	2.65	1129	2.82	1170	3.00
4000	783	1.55	835	1.76	884	1.96	932	2.15	978	2.33	1022	2.50	1066	2.67	1108	2.84	1149	3.02	1190	3.19
4200	805	1.77	856	1.98	906	2.17	953	2.36	999	2.54	1044	2.72	1087	2.89	1129	3.06	1171	3.23	1211	3.41
4400	828	2.00	879	2.21	929	2.41	976	2.59	1022	2.77	1067	2.95	1110	3.12	1152	3.29	-	-	-	-
4600	852	2.25	904	2.46	953	2.66	1001	2.85	1047	3.03	1092	3.20	1135	3.37	-	-	-	-	-	-
4800	879	2.52	930	2.73	980	2.93	1027	3.12	1073	3.30	-	-	-	-	-	-	-	-	-	-
5000	906	2.81	958	3.02	1007	3.22	1055	3.41	-	-	-	-	-	-	-	-	-	-	-	-
	3 HP & Field Supplied Drive																			

1. Blower performance includes gas heat exchangers and 2" filters. See STATIC RESISTANCE table for additional applications.
2. See RPM SELECTION table to determine desired motor sheave setting and to determine the maximum continuous BHP.
3. kW = BHP x 0.932.

ZF150 (12.5 Ton) Side Duct

Air Flow (CFM)	Available External Static Pressure - IWG ¹																			
	0.2		0.4		0.6		0.8		1.0		1.2		1.4		1.6		1.8		2.0	
	RPM	BHP	RPM	BHP	RPM	BHP	RPM	BHP	RPM	BHP	RPM	BHP	RPM	BHP	RPM	BHP	RPM	BHP	RPM	BHP
	3 HP & Field Supplied Drive				Standard 3 HP & Drive								Hi Static 5 HP & Drive							
3200	684	1.00	741	1.16	794	1.32	844	1.48	892	1.65	940	1.81	988	1.97	1036	2.12	1087	2.27	1141	2.42
3400	709	1.15	765	1.30	818	1.46	868	1.62	916	1.79	964	1.95	1012	2.11	1061	2.26	1112	2.42	1166	2.56
3600	734	1.30	791	1.46	844	1.62	894	1.78	942	1.94	990	2.10	1038	2.26	1087	2.42	1137	2.57	1191	2.72
3800	761	1.48	818	1.63	871	1.79	921	1.95	969	2.12	1017	2.28	1065	2.44	1114	2.59	1164	2.75	1218	2.89
4000	789	1.66	846	1.82	899	1.98	949	2.14	997	2.31	1045	2.47	1093	2.63	1142	2.78	1192	2.93	1246	3.08
4200	818	1.87	875	2.03	928	2.19	978	2.35	1026	2.51	1074	2.67	1121	2.83	1170	2.99	1221	3.14	1275	3.29
4400	847	2.09	904	2.25	957	2.41	1007	2.57	1055	2.73	1103	2.90	1151	3.06	1199	3.21	1250	3.36	1304	3.51
4600	877	2.33	934	2.49	986	2.65	1036	2.81	1085	2.97	1132	3.14	1180	3.29	1229	3.45	1280	3.60	1334	3.75
4800	907	2.59	963	2.75	1016	2.91	1066	3.07	1115	3.23	1162	3.39	1210	3.55	1259	3.71	1310	3.86	1364	4.01
5000	937	2.86	993	3.02	1046	3.18	1096	3.34	1145	3.50	1192	3.66	1240	3.82	1289	3.98	1340	4.13	1394	4.28
5200	967	3.15	1023	3.31	1076	3.47	1126	3.63	1175	3.79	1222	3.95	1270	4.11	1319	4.27	1370	4.42	1424	4.57
5400	997	3.45	1053	3.61	1106	3.77	1156	3.93	1205	4.09	1252	4.26	1300	4.41	1349	4.57	1400	4.72	1454	4.87
5600	1027	3.77	1083	3.93	1136	4.09	1186	4.25	1235	4.41	1282	4.57	1330	4.73	1379	4.89	1430	5.04	1484	5.19
5800	1057	4.11	1113	4.26	1166	4.42	1216	4.59	1264	4.75	1312	4.91	1360	5.07	1409	5.22	-	-	-	-
6000	1086	4.46	1143	4.61	1196	4.77	1246	4.93	1294	5.10	1342	5.26	-	-	-	-	-	-	-	-
6200	1116	4.82	1172	4.98	1225	5.14	1275	5.30	-	-	-	-	-	-	-	-	-	-	-	-
	5 HP & Field Supplied Drive																			

1. Blower performance includes gas heat exchangers and 2" filters. See STATIC RESISTANCE table for additional applications.
2. See RPM SELECTION table to determine desired motor sheave setting and to determine the maximum continuous BHP.
3. kW = BHP x 0.932.

ZF078-150 Bottom Duct Application

ZF078 (6.5 Ton) Bottom Duct

Air Flow (CFM)	Available External Static Pressure - IWG ¹																			
	0.2		0.4		0.6		0.8		1.0		1.2		1.4		1.6		1.8		2.0	
	RPM	BHP	RPM	BHP	RPM	BHP	RPM	BHP	RPM	BHP	RPM	BHP	RPM	BHP	RPM	BHP	RPM	BHP	RPM	BHP
	Field Supplied Drive				Standard 1.5 HP & Drive				Hi Static 2 HP & Drive											
1800	775	0.31	850	0.53	924	0.72	998	0.89	1072	1.05	1147	1.20	1224	1.35	1303	1.51	1384	1.69	1469	1.89
2000	803	0.45	878	0.67	952	0.86	1026	1.03	1100	1.19	1175	1.34	1252	1.49	1331	1.65	1412	1.83	1497	2.03
2200	838	0.60	913	0.82	986	1.01	1060	1.19	1134	1.34	1210	1.49	1286	1.65	1365	1.81	1447	1.98	1532	2.18
2400	878	0.78	953	1.00	1027	1.19	1100	1.36	1174	1.52	1250	1.67	1327	1.82	1405	1.98	1487	2.16	-	-
2600	923	0.98	997	1.20	1071	1.39	1145	1.56	1219	1.72	1294	1.87	1371	2.02	1450	2.18	-	-	-	-
2800	971	1.20	1046	1.42	1119	1.61	1193	1.78	1267	1.94	1343	2.09	1419	2.24	-	-	-	-	-	-
3000	1023	1.44	1097	1.66	1171	1.85	1245	2.03	1319	2.18	-	-	-	-	-	-	-	-	-	-
3200	1077	1.71	1151	1.93	1225	2.12	1299	2.29	-	-	-	-	-	-	-	-	-	-	-	-
3400	1133	1.99	1208	2.21	-	-	-	-	-	-	-	-	-	-	-	-	-	-	-	-
	2 HP & Field Supplied Drive																			

1. Blower performance includes gas heat exchangers and 2" filters. See STATIC RESISTANCE table for additional applications.
2. See RPM SELECTION table to determine desired motor sheave setting and to determine the maximum continuous BHP.
3. kW = BHP x 0.932.

ZF090 (7.5 Ton) Bottom Duct

Air Flow (CFM)	Available External Static Pressure - IWG ¹																			
	0.2		0.4		0.6		0.8		1.0		1.2		1.4		1.6		1.8		2.0	
	RPM	BHP	RPM	BHP	RPM	BHP	RPM	BHP	RPM	BHP	RPM	BHP	RPM	BHP	RPM	BHP	RPM	BHP	RPM	BHP
	Field Supplied Drive				Standard 1.5 HP & Drive				Hi Static 3 HP & Drive											
2000	803	0.45	878	0.67	952	0.86	1026	1.03	1100	1.19	1175	1.34	1252	1.49	1331	1.65	1412	1.83	1497	2.03
2200	838	0.60	913	0.82	986	1.01	1060	1.19	1134	1.34	1210	1.49	1286	1.65	1365	1.81	1447	1.98	1532	2.18
2400	878	0.78	953	1.00	1027	1.19	1100	1.36	1174	1.52	1250	1.67	1327	1.82	1405	1.98	1487	2.16	1572	2.36
2600	923	0.98	997	1.20	1071	1.39	1145	1.56	1219	1.72	1294	1.87	1371	2.02	1450	2.18	1532	2.36	1617	2.56
2800	971	1.20	1046	1.42	1119	1.61	1193	1.78	1267	1.94	1343	2.09	1419	2.24	1498	2.40	1580	2.58	1665	2.78
3000	1023	1.44	1097	1.66	1171	1.85	1245	2.03	1319	2.18	1394	2.33	1471	2.49	1550	2.65	1632	2.82	1717	3.02
3200	1077	1.71	1151	1.93	1225	2.12	1299	2.29	1373	2.45	1448	2.60	1525	2.75	1604	2.91	1686	3.09	1771	3.29
3400	1133	1.99	1208	2.21	1282	2.41	1356	2.58	1430	2.73	1505	2.88	1582	3.04	1661	3.20	1742	3.37	-	-
3600	1192	2.30	1267	2.52	1341	2.71	1414	2.88	1489	3.04	1564	3.19	1641	3.34	-	-	-	-	-	-
3800	1253	2.63	1327	2.85	1401	3.04	1475	3.21	1549	3.37	-	-	-	-	-	-	-	-	-	-
	3 HP & Field Supplied Drive																			

1. Blower performance includes gas heat exchangers and 2" filters. See STATIC RESISTANCE table for additional applications.
2. See RPM SELECTION table to determine desired motor sheave setting and to determine the maximum continuous BHP.
3. kW = BHP x 0.932.

ZF102 (8.5 Ton) Bottom Duct

Air Flow (CFM)	Available External Static Pressure - IWG ¹																			
	0.2		0.4		0.6		0.8		1.0		1.2		1.4		1.6		1.8		2.0	
	RPM	BHP	RPM	BHP	RPM	BHP	RPM	BHP	RPM	BHP	RPM	BHP	RPM	BHP	RPM	BHP	RPM	BHP	RPM	BHP
	FS ⁴				Standard 2 HP & Drive				Hi Static 3 HP & Drive											
2600	674	0.71	731	0.88	786	1.05	838	1.24	887	1.42	933	1.59	974	1.74	1010	1.87	1040	1.97	1064	2.03
2800	689	0.86	746	1.02	801	1.20	854	1.38	903	1.56	948	1.73	989	1.88	1025	2.01	1056	2.11	1080	2.17
3000	707	1.01	764	1.17	819	1.35	872	1.53	921	1.71	966	1.88	1007	2.03	1043	2.16	1074	2.26	1098	2.32
3200	728	1.17	785	1.33	840	1.51	892	1.69	941	1.87	987	2.04	1028	2.20	1064	2.33	1094	2.42	1118	2.48
3400	751	1.34	808	1.51	863	1.68	915	1.87	964	2.05	1010	2.22	1051	2.37	1087	2.50	1117	2.60	1141	2.66
3600	776	1.53	833	1.70	888	1.87	941	2.06	990	2.24	1035	2.41	1076	2.56	1112	2.69	1142	2.79	1167	2.85
3800	804	1.74	861	1.90	916	2.08	969	2.26	1018	2.44	1063	2.61	1104	2.77	1140	2.90	1170	2.99	1194	-
4000	835	1.97	892	2.13	947	2.31	999	2.49	1048	2.67	1094	2.84	1135	2.99	-	-	-	-	-	-
4200	867	2.21	924	2.37	979	2.55	1032	2.73	1081	2.91	1127	3.08	-	-	-	-	-	-	-	-
	3 HP & Field Supplied Drive																			

1. Blower performance includes gas heat exchangers and 2" filters. See STATIC RESISTANCE table for additional applications.
2. See RPM SELECTION table to determine desired motor sheave setting and to determine the maximum continuous BHP.
3. kW = BHP x 0.932
4. Field Supplied Drive.

ZF120 (10 Ton) Bottom Duct

Air Flow (CFM)	Available External Static Pressure - IWG ¹																			
	0.2		0.4		0.6		0.8		1.0		1.2		1.4		1.6		1.8		2.0	
	RPM	BHP	RPM	BHP	RPM	BHP	RPM	BHP	RPM	BHP	RPM	BHP	RPM	BHP	RPM	BHP	RPM	BHP	RPM	BHP
	Field Supplied Drive		Standard 2 HP & Drive									Hi Static 3 HP & Drive								
2600	722	0.83	776	0.97	828	1.11	878	1.25	926	1.37	973	1.50	1018	1.62	1063	1.74	1106	1.86	1149	1.99
2800	744	0.97	798	1.12	850	1.26	900	1.39	949	1.52	995	1.64	1041	1.76	1085	1.88	1128	2.00	1171	2.13
3000	769	1.13	823	1.28	875	1.42	925	1.55	974	1.68	1020	1.80	1066	1.92	1110	2.05	1153	2.17	1196	2.29
3200	797	1.32	851	1.46	903	1.60	953	1.74	1001	1.86	1048	1.99	1093	2.11	1138	2.23	1181	2.35	1224	2.48
3400	828	1.52	882	1.67	934	1.81	983	1.94	1032	2.07	1078	2.19	1124	2.32	1168	2.44	1212	2.56	1254	2.68
3600	861	1.75	915	1.90	967	2.04	1017	2.17	1065	2.30	1112	2.42	1157	2.54	1201	2.67	1245	2.79	1287	2.91
3800	897	2.00	951	2.15	1002	2.29	1052	2.42	1101	2.55	1147	2.67	1193	2.80	1237	2.92	1280	3.04	1323	3.16
4000	935	2.27	989	2.42	1041	2.56	1091	2.69	1139	2.82	1186	2.95	1231	3.07	1275	3.19	1319	3.31	1362	3.43
4200	976	2.57	1030	2.72	1082	2.86	1132	2.99	1180	3.12	1227	3.24	1272	3.36	-	-	-	-	-	-
4400	1019	2.88	1073	3.03	1125	3.17	1175	3.30	1223	3.43	-	-	-	-	-	-	-	-	-	-
4600	1065	3.22	1119	3.36	-	-	-	-	-	-	-	-	-	-	-	-	-	-	-	-
	3 HP & Field Supplied Drive																			

1. Blower performance includes gas heat exchangers and 2" filters. See STATIC RESISTANCE table for additional applications.
2. See RPM SELECTION table to determine desired motor sheave setting and to determine the maximum continuous BHP.
3. kW = BHP x 0.932.

ZF150 (12.5 Ton) Bottom Duct

Air Flow (CFM)	Available External Static Pressure - IWG ¹																			
	0.2		0.4		0.6		0.8		1.0		1.2		1.4		1.6		1.8		2.0	
	RPM	BHP	RPM	BHP	RPM	BHP	RPM	BHP	RPM	BHP	RPM	BHP	RPM	BHP	RPM	BHP	RPM	BHP	RPM	BHP
	3 HP & Field Supplied Drive		Standard 3 HP & Drive									Hi Static 5 HP & Drive								
3200	823	1.28	861	1.47	906	1.64	955	1.80	1007	1.95	1059	2.12	1109	2.29	1155	2.50	1194	2.73	1225	3.01
3400	860	1.48	898	1.67	942	1.84	992	2.00	1044	2.16	1095	2.32	1145	2.50	1191	2.70	1231	2.94	1262	3.22
3600	898	1.71	935	1.90	980	2.07	1030	2.23	1081	2.39	1133	2.55	1183	2.73	1229	2.94	1269	3.17	1300	3.45
3800	936	1.97	974	2.16	1019	2.33	1068	2.49	1120	2.64	1172	2.81	1222	2.98	1267	3.19	1307	3.42	1338	3.70
4000	975	2.24	1013	2.43	1057	2.60	1107	2.76	1158	2.92	1210	3.08	1260	3.26	1306	3.46	1346	3.70	1377	3.97
4200	1014	2.54	1052	2.73	1096	2.90	1146	3.05	1197	3.21	1249	3.38	1299	3.55	1345	3.76	1385	3.99	1416	4.27
4400	1053	2.85	1091	3.04	1135	3.21	1185	3.37	1236	3.53	1288	3.69	1338	3.87	1384	4.07	1424	4.31	1455	4.58
4600	1091	3.19	1129	3.38	1174	3.55	1223	3.71	1275	3.86	1327	4.03	1377	4.20	1423	4.41	1462	4.64	1494	4.92
4800	1130	3.54	1168	3.73	1213	3.90	1262	4.06	1314	4.22	1365	4.38	1415	4.56	1461	4.76	1501	5.00	1532	5.27
5000	1168	3.92	1206	4.11	1251	4.28	1300	4.44	1352	4.59	1404	4.76	1454	4.94	1500	5.14	1539	5.37	-	-
5200	1206	4.31	1244	4.50	1288	4.67	1338	4.83	1389	4.99	1441	5.15	1491	5.33	1537	5.53	-	-	-	-
5400	1243	4.72	1281	4.91	1326	5.08	1375	5.24	1427	5.40	1479	5.56	-	-	-	-	-	-	-	-
5600	1280	5.15	1318	5.34	1362	5.51	-	-	-	-	-	-	-	-	-	-	-	-	-	-
5800	1316	5.60	-	-	-	-	-	-	-	-	-	-	-	-	-	-	-	-	-	-
	5 HP & Field Supplied Drive																			

1. Blower performance includes gas heat exchangers and 2" filters. See STATIC RESISTANCE table for additional applications.
2. See RPM SELECTION table to determine desired motor sheave setting and to determine the maximum continuous BHP.
3. kW = BHP x 0.932.

RPM Selection

Size (Tons)	Model	HP	Max BHP	Motor Sheave	Blower Sheave	6 Turns Open	5 Turns Open	4 Turns Open	3 Turns Open	2 Turns Open	1 Turn Open	Fully Closed
078 (6.5)	ZF	1.5	1.73	1VM50	AK74	N/A	887	936	986	1035	1084	1134
		2	2.30	1VM50	AK64	N/A	1039	1094	1150	1207	1256	1308
090 (7.5)	ZF	1.5	1.73	1VM50	AK74	N/A	887	936	986	1035	1084	1134
		3	3.45	1VM50	AK61	N/A	1088	1147	1205	1265	1312	1365
102 (8.5)	ZF	2	2.30	1VM50	AK94	N/A	690	728	767	805	843	882
		3	3.45	1VM50	AK74	N/A	887	936	986	1035	1084	1134
120 (10)	ZF	2	2.30	1VM50	AK84	N/A	776	819	863	906	949	992
		3	3.45	1VM50	AK74	N/A	887	936	986	1035	1084	1134
150 (12.5)	ZF	3	3.45	1VM50	AK74	N/A	887	936	986	1035	1084	1134
		5	5.75	1VP56	BK77	1052	1095	1136	1175	1216	1272	N/A

Additional Static Resistance

Size (Tons)	Model	CFM	Cooling Only ¹	Economizer ^{2,3}	4" Filter ²	Electric Heat kW ²				
						9	18	24	36	54
078 (6.5) 090 (7.5)	ZF	1900	0.00	0.07	0.10	0.05	0.06	0.07	0.08	0.10
		2100	-0.01	0.09	0.11	0.06	0.07	0.08	0.09	0.11
		2300	-0.01	0.11	0.12	0.07	0.08	0.09	0.10	0.13
		2500	-0.02	0.13	0.14	0.08	0.09	0.10	0.11	0.14
		2700	-0.03	0.16	0.15	0.09	0.10	0.12	0.13	0.16
		2900	-0.04	0.18	0.16	0.10	0.11	0.13	0.14	0.18
		3100	-0.05	0.20	0.18	0.12	0.13	0.15	0.16	0.20
		3300	-0.06	0.22	0.19	0.13	0.14	0.17	0.18	0.22
		3500	-0.07	0.24	0.20	0.15	0.16	0.19	0.20	0.24
		3700	-0.08	0.27	0.21	0.17	0.18	0.21	0.22	0.26
		3900	-0.09	0.29	0.23	0.19	0.20	0.23	0.24	0.28
		4100	-0.09	0.31	0.24	0.21	0.22	0.25	0.26	0.31
		4300	-0.10	0.30	0.25	0.23	0.24	0.28	0.29	0.34
4500	-0.11	0.35	0.26	0.25	0.26	0.30	0.31	0.37		
102 (8.5) 120 (10) 150 (12.5)	ZF	1900	0.06	0.02	0.12	0.05	0.06	0.07	0.08	0.10
		2100	0.07	0.02	0.13	0.06	0.07	0.08	0.09	0.11
		2300	0.08	0.04	0.14	0.07	0.08	0.09	0.10	0.13
		2500	0.09	0.11	0.16	0.08	0.09	0.10	0.11	0.14
		2700	0.11	0.18	0.17	0.09	0.10	0.12	0.13	0.16
		2900	0.12	0.25	0.19	0.10	0.11	0.13	0.14	0.18
		3100	0.14	0.31	0.20	0.12	0.13	0.15	0.16	0.20
		3300	0.16	0.37	0.22	0.13	0.14	0.17	0.18	0.22
		3500	0.18	0.43	0.26	0.15	0.16	0.19	0.20	0.24
		3700	0.20	0.49	0.27	0.17	0.18	0.21	0.22	0.26
		3900	0.23	0.54	0.29	0.19	0.20	0.23	0.24	0.28
		4100	0.25	0.58	0.32	0.21	0.22	0.25	0.26	0.31
		4300	0.28	0.65	0.35	0.23	0.24	0.28	0.29	0.34
		4500	0.30	0.69	0.38	0.25	0.26	0.30	0.31	0.37
		4700	0.33	0.74	0.41	0.28	0.29	0.33	0.34	0.40
		4900	0.36	0.78	0.44	0.30	0.31	0.35	0.37	0.43
		5100	0.39	0.82	0.47	0.33	0.34	0.38	0.40	0.46
5300	0.42	0.86	0.51	0.35	0.37	0.41	0.43	0.49		
5500	0.45	0.89	0.55	0.38	0.40	0.44	0.46	0.53		
5700	0.48	0.93	0.58	0.41	0.43	0.47	0.49	0.56		
5900	0.52	0.96	0.62	0.44	0.46	0.50	0.53	0.59		
6100	0.56	0.98	0.67	0.47	0.49	0.53	0.56	0.62		
6300	0.60	1.01	0.71	0.50	0.53	0.56	0.59	0.65		

1. Add these values to the available static resistance in the respective Blower Performance Tables.
2. Deduct these values from the available external static pressure shown in the respective Blower Performance Tables.
3. The pressure drop through the economizer is greater for 100% outdoor air than for 100% return air. If the resistance of the return air duct is less than 0.25 IWG, the unit will deliver less CFM during full economizer operation.

Drive Selection

1. Determine side or bottom supply duct Application.
2. Determine desired airflow.
3. Calculate or measure the amount of external static pressure.
4. Using the operating point determined from steps 1, 2 & 3, locate this point on the appropriate supply air blower performance table. (Linear interpolation may be necessary.)
5. Noting the RPM and BHP from step 4, locate the appropriate motor and, or drive on the RPM selection table.
6. Review the BHP compared to the motor options available. Select the appropriate motor and, or drive.
7. Review the RPM range for the motor options available. Select the appropriate drive if multiple drives are available for the chosen motor.
8. Determine turns open to obtain the desired operation point.

Example

1. 2600 CFM
2. 1.6 iwg
3. Using the supply air blower performance table below, the following data point was located: 1268 RPM & 1.95 BHP.
4. Using the RPM selection table below, Size X and Model Y is found.
5. 1.95 BHP exceeds the maximum continuous BHP rating of the 1.5 HP motor. The 2 HP motor is required.
6. 1268 RPM is within the range of the 2 HP drives.
7. Using the 2 HP motor and drive, .5 turns open will achieve 1268 RPM.

Airflow Performance**Example Supply Air Blower Performance**

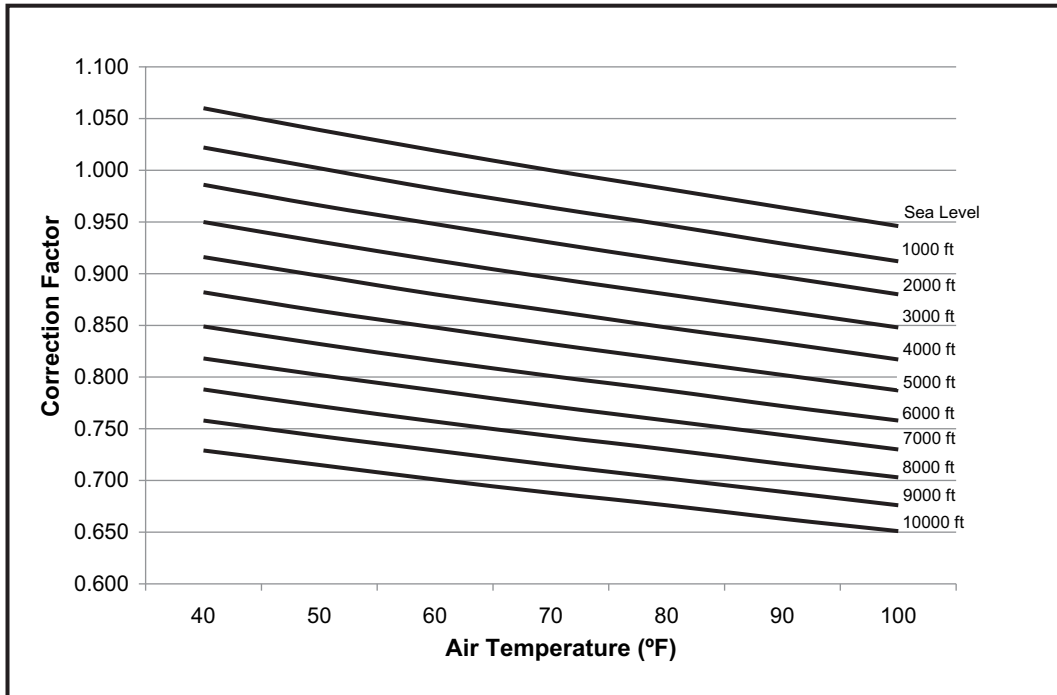
Air Flow (CFM)	Available External Static Pressure - IWG																			
	0.2		0.4		0.6		0.8		1.0		1.2		1.4		1.6		1.8		2.0	
	RPM	BHP	RPM	BHP	RPM	BHP	RPM	BHP	RPM	BHP	RPM	BHP	RPM	BHP	RPM	BHP	RPM	BHP	RPM	BHP
	1.5 HP & Field Supplied Drive						Standard 1.5 HP & Drive						Alternate 2 HP & Drive							
2200	804	0.50	866	0.71	925	0.90	982	1.06	1038	1.21	1092	1.35	1147	1.48	1203	1.61	1259	1.73	1317	1.87
2400	835	0.66	897	0.87	956	1.06	1013	1.22	1069	1.37	1124	1.51	1178	1.64	1234	1.77	1290	1.90	1348	2.03
2600	869	0.84	931	1.05	990	1.24	1047	1.40	1103	1.55	1158	1.69	1212	1.82	1268	1.95	1324	2.07	1382	2.21
2800	906	1.03	968	1.25	1027	1.43	1084	1.60	1139	1.75	1194	1.89	1249	2.02	1304	2.14	1361	2.27	-	-

Table X: RPM Selection

Size (Tons)	Model	HP	Max BHP	Motor Sheave	Blower Sheave	6 Turns Open	5 Turns Open	4 Turns Open	3 Turns Open	2 Turns Open	1 Turn Open	Fully Closed
X	Y	1.5	1.73	1VM50	AK74	N/A	897	945	991	1035	1079	1126
		2	2.30	1VM50	AK64	N/A	1039	1094	1150	1207	1256	1308

Altitude/Temperature Correction Factors

Air Temp.	Altitude (Ft.)										
	0	1000	2000	3000	4000	5000	6000	7000	8000	9000	10000
40	1.060	1.022	0.986	0.950	0.916	0.882	0.849	0.818	0.788	0.758	0.729
50	1.039	1.002	0.966	0.931	0.898	0.864	0.832	0.802	0.772	0.743	0.715
60	1.019	0.982	0.948	0.913	0.880	0.848	0.816	0.787	0.757	0.729	0.701
70	1.000	0.964	0.930	0.896	0.864	0.832	0.801	0.772	0.743	0.715	0.688
80	0.982	0.947	0.913	0.880	0.848	0.817	0.787	0.758	0.730	0.702	0.676
90	0.964	0.929	0.897	0.864	0.833	0.802	0.772	0.744	0.716	0.689	0.663
100	0.946	0.912	0.880	0.848	0.817	0.787	0.758	0.730	0.703	0.676	0.651



Gas Heat Minimum Supply Air

Size (Tons)	Model	Heat Size	Supply Air (CFM)			
			Cooling		Heating	
			Min	Max	Min	Max
078 (6.5)	ZF	N12	1950	3250	1950	3250
		N18	1950	3250	1950	3250
090 (7.5)	ZF	N12	2250	3750	2250	3750
		N18	2250	3750	2250	3750
102 (8.5)	ZF	N12	2550	4250	2550	4250
		N18	2550	4250	2550	4250
120 (10)	ZF	N18	3000	5000	3000	5000
		N24	3000	5000	3000	5000
150 (12.5)	ZF	N18	3750	6250	3750	6250
		N24	3750	6250	3750	6250

Electric Heat Minimum Supply Air

Size (Tons)	Model	Voltage	Minimum Supply Air (CFM)				
			Heater kW				
			9	18	24	36	54
078 (6.5)	ZF	208/230-3-60	1950	1950	1950	1950	-
		460-3-60	1950	1950	1950	1950	-
		600-3-60	1950	1950	1950	1950	-
090 (7.5)	ZF	208/230-3-60	2250	2250	2250	2250	-
		460-3-60	2250	2250	2250	2250	-
		600-3-60	2250	2250	2250	2250	-
102 (8.5)	ZF	208/230-3-60	2550	2550	2550	2550	-
		460-3-60	2550	2550	2550	2550	-
		600-3-60	2550	2550	2550	2550	-
120 (10)	ZF	208/230-3-60	-	3000	3000	3000	3500
		460-3-60	-	3000	3000	3000	3000
		600-3-60	-	3000	3000	3000	3500
150 (12.5)	ZF	208/230-3-60	-	3750	3750	3750	4000
		460-3-60	-	3750	3750	3750	3750
		600-3-60	-	3750	3750	3750	3750

Indoor Blower Specifications

Size (Tons)	Model	Motor					Motor Sheave			Blower Sheave			Belt
		HP	RPM	Eff.	SF	Frame	Datum Dia. (in.)	Bore (in.)	Model	Datum Dia. (in.)	Bore (in.)	Model	
078 (6.5)	ZF	1-1/2	1725	0.8	1.15	56	3.4 - 4.4	7/8	1VM50	7.0	1	AK74	A49
		2	1725	0.8	1.15	56	3.4 - 4.4	7/8	1VM50	6.0	1	AK64	A49
090 (7.5)	ZF	1-1/2	1725	0.8	1.15	56	3.4 - 4.4	7/8	1VM50	7.0	1	AK74	A49
		3	1725	0.8	1.15	56	3.4 - 4.4	7/8	1VM50	5.7	1	AK61	A49
102 (8.5)	ZF	2	1725	0.8	1.15	56	3.4 - 4.4	7/8	1VM50	9.0	1	AK94	A56
		3	1725	0.8	1.15	56	3.4 - 4.4	7/8	1VM50	7.0	1	AK74	A54
120 (10)	ZF	2	1725	0.8	1.15	56	3.4 - 4.4	7/8	1VM50	8.0	1	AK84	A56
		3	1725	0.8	1.15	56	3.4 - 4.4	7/8	1VM50	7.0	1	AK74	A54
150 (12.5)	ZF	3	1725	0.8	1.15	56	3.4 - 4.4	7/8	1VM50	7.0	1	AK74	A54
		5	1725	0.87	1.15	184T	4.3 - 5.3	1-1/8	1VP56	6.7	1	BK77	BX55

Power Exhaust Specifications

Model	Voltage	Motor			Motor			Fuse Size	CFM @ 0.1 ESP
		HP	RPM ¹	QTY	LRA	FLA	MCA		
2PE04703225	208/230-1-60	3/4	1075	1	7.8	5	6.3	10	3800
2PE04703246	460-1-60	3/4	1075	1	3.4	2.2	2.8	5	3800
2PE04703258	575-1-60	3/4	1050	1	2.9	1.5	1.9	4	3800

1. Motors are multi-tapped and factory wired for high speed.

Electric Heat Multipliers

Voltage		kW Capacity Multipliers ¹
Nominal	Applied	
240	208	0.75
	230	0.92
480	460	0.92
600	575	0.92

1. Electric heaters are rated at nominal voltage. Use this table to determine the electric heat capacity for heaters applied at lower voltages.

Sound Performance

Indoor Sound Power Levels

Size (Tons)	Model	CFM	ESP (IWG)	Blower		Sound Power, dB (10 ⁻¹²) Watts								
				RPM	BHP	Sound Rating ¹ dB (A)	Octave Band Centerline Frequency (Hz)							
							63	125	250	500	1000	2000	4000	8000
078 (6.5)	ZF	2600	0.6	812	1.14	74	71	73	73	71	69	65	65	60
090 (7.5)	ZF	3000	0.6	854	1.47	77	74	76	76	74	72	68	68	63
102 (8.5)	ZF	3400	0.6	872	1.65	80	77	79	79	77	75	71	71	66
120 (10)	ZF	4000	0.6	959	2.29	83	80	82	82	80	78	74	74	69
150 (12.5)	ZF	5000	0.6	1132	3.74	87	84	86	86	84	82	78	78	73

1. These values have been accessed using a model of sound propagation from a point source into the hemispheric/free field. The dBA values provided are to be used for reference only. Calculation of dBA values cover matters of system design and the fan manufacture has no way of knowing the details of each system. This constitutes an exception to any specification or guarantee requiring a dBA value of sound data in any other form than sound power level ratings.

Outdoor Sound Power Levels

ZF078-150

Size (Tons)	Model	Sound Rating ¹ dB (A)	Octave Band Centerline Frequency (Hz)							
			63	125	250	500	1000	2000	4000	8000
078 (6.5)	ZF	84	86.0	87.5	86.0	82.5	79.0	73.5	68.5	62.0
090 (7.5)	ZF	89	89.5	92.0	89.0	87.5	84.0	78.5	73.5	66.5
102 (8.5)	ZF	91	91.5	93.5	92.5	89.0	85.5	80.5	76.0	71.0
120 (10)	ZF	92	99.5	94.5	92.0	90.0	87.0	81.0	76.0	70.0
150 (12.5)	ZF	88	91.0	92.5	90.0	85.0	81.5	77.0	73.0	66.5

1. Rated in accordance with AHRI 270 standard.

Electrical Data

ZF078-150 Standard Motor - Without Powered Convenience Outlet

Size (Tons)	Volt	Compressors (each)			OD Fan Motors (each)	Supply Blower Motor	Pwr Exh Motor	Pwr Conv Outlet	Electric Heat Option				MCA ¹ (Amps)	MCA ¹ w/Pwr Exh (Amps)	Max Fuse ² / Breaker ³ Size (Amps)	Max Fuse ² / Breaker ³ Size w/ Pwr Exh (Amps)
		RLA	LRA	MCC	FLA	FLA	FLA	FLA	Model	kW	Stages	Amps				
078 (6.5)	208	9.8	68.0	14.5	2.1	5.2	5.5	0.0	None	-	-	-	31.5	37.0	40	45
									E09	6.8	1	18.9	31.5	37.0	40	45
									E18	13.5	2	37.5	53.3	60.2	60	70
									E24	18.0	2	50.0	69.0	75.8	70	80
									E36	25.5	2	70.8	95.0	101.9	100	110
	230	9.8	68.0	14.5	2.1	5.2	5.5	0.0	None	-	-	-	31.5	37.0	40	45
									E09	9.0	1	21.7	33.6	40.4	40	45
									E18	18.0	2	43.3	60.6	67.5	70	70
									E24	24.0	2	57.7	78.7	85.5	80	90
									E36	34.0	2	81.8	108.7	115.6	110	125
	460	4.9	34.0	7.7	1.3	2.6	2.2	0.0	None	-	-	-	16.1	18.3	20	20
									E09	9.0	1	10.8	16.8	19.5	20	20
									E18	18.0	2	21.7	30.3	33.1	35	35
									E24	24.0	2	28.9	39.3	42.1	40	45
									E36	34.0	2	40.9	54.4	57.1	60	60
	575	3.8	28.0	6.0	0.7	2.0	1.8	0.0	None	-	-	-	11.9	13.7	15	15
									E09	9.0	1	8.7	13.3	15.6	15	20
									E18	18.0	2	17.3	24.2	26.4	25	30
									E24	24.0	2	23.1	31.4	33.6	35	35
									E36	34.0	2	32.7	43.4	45.6	45	50
090 (7.5)	208	11.9	88.0	18.5	3.0	5.2	5.5	0.0	None	-	-	-	38.0	43.5	45	50
									E09	6.8	1	18.9	38.0	43.5	45	50
									E18	13.5	2	37.5	53.3	60.2	60	70
									E24	18.0	2	50.0	69.0	75.8	70	80
									E36	25.5	2	70.8	95.0	101.9	100	110
	230	11.9	88.0	18.5	3.0	5.2	5.5	0.0	None	-	-	-	38.0	43.5	45	50
									E09	9.0	1	21.7	38.0	43.5	45	50
									E18	18.0	2	43.3	60.6	67.5	70	70
									E24	24.0	2	57.7	78.7	85.5	80	90
									E36	34.0	2	81.8	108.7	115.6	110	125
	460	5.2	44.0	8.1	1.6	2.6	2.2	0.0	None	-	-	-	17.5	19.7	20	20
									E09	9.0	1	10.8	17.5	19.7	20	20
									E18	18.0	2	21.7	30.3	33.1	35	35
									E24	24.0	2	28.9	39.3	42.1	40	45
									E36	34.0	2	40.9	54.4	57.1	60	60
	575	4.8	36.0	7.5	1.4	2.0	1.8	0.0	None	-	-	-	15.5	17.3	20	20
									E09	9.0	1	8.7	15.5	17.3	20	20
									E18	18.0	2	17.3	24.2	26.4	25	30
									E24	24.0	2	23.1	31.4	33.6	35	35
									E36	34.0	2	32.7	43.4	45.6	45	50
102 (8.5)	208	12.2	88.0	19.0	3.0	6.8	5.5	0.0	None	-	-	-	40.3	45.8	50	50
									E09	6.8	1	18.9	40.3	45.8	50	50
									E18	13.5	2	37.5	55.3	62.2	60	70
									E24	18.0	2	50.0	71.0	77.8	80	80
									E36	25.5	2	70.8	97.0	103.9	100	110
	230	12.2	88.0	19.0	3.0	6.8	5.5	0.0	None	-	-	-	40.3	45.8	50	50
									E09	9.0	1	21.7	40.3	45.8	50	50
									E18	18.0	2	43.3	62.6	69.5	70	70
									E24	24.0	2	57.7	80.7	87.5	90	90
									E36	34.0	2	81.8	110.7	117.6	125	125
	460	5.8	44.0	9.0	1.6	3.4	2.2	0.0	None	-	-	-	19.7	21.9	25	25
									E09	9.0	1	10.8	19.7	21.9	25	25
									E18	18.0	2	21.7	31.3	34.1	35	35
									E24	24.0	2	28.9	40.3	43.1	45	45
									E36	34.0	2	40.9	55.4	58.1	60	60
	575	4.4	36.0	5.5	1.4	2.4	1.8	0.0	None	-	-	-	15.0	16.8	15	20
									E09	9.0	1	8.7	15.0	16.8	15	20
									E18	18.0	2	17.3	24.7	26.9	25	30
									E24	24.0	2	23.1	31.9	34.1	35	35
									E36	34.0	2	32.7	43.9	46.1	45	50

ZF078-150 Standard Motor - Without Powered Convenience Outlet (Continued)

Size (Tons)	Volt	Compressors (each)			OD Fan Motors (each)	Supply Blower Motor	Pwr Exh Motor	Pwr Conv Outlet	Electric Heat Option				MCA ¹ (Amps)	MCA ¹ w/Pwr Exh (Amps)	Max Fuse ^{2/} Breaker ³ Size (Amps)	Max Fuse ^{2/} Breaker ³ Size w/ Pwr Exh (Amps)
		RLA	LRA	MCC	FLA	FLA	FLA	FLA	Model	kW	Stages	Amps				
120 (10)	208	14.6	110.0	21.7	3.0	6.8	5.5	0.0	None	-	-	-	45.7	51.2	60	60
									E18	13.5	2	37.5	55.3	62.2	60	70
									E24	18.0	2	50.0	71.0	77.8	80	80
									E36	25.5	2	70.8	97.0	103.9	100	110
									E54	40.6	2	112.7	149.4	156.2	150	175
	230	14.6	110.0	21.7	3.0	6.8	5.5	0.0	None	-	-	-	45.7	51.2	60	60
									E18	18.0	2	43.3	62.6	69.5	70	70
									E24	24.0	2	57.7	80.7	87.5	90	90
									E36	34.0	2	81.8	110.7	117.6	125	125
									E54	54.0	2	129.9	138.4	145.3	150	175
	460	7.4	55.0	11.5	1.6	3.4	2.2	0.0	None	-	-	-	23.3	25.5	30	30
									E18	18.0	2	21.7	31.3	34.1	35	35
									E24	24.0	2	28.9	40.3	43.1	45	45
									E36	34.0	2	40.9	55.4	58.1	60	60
									E54	54.0	2	65.0	69.2	72.0	80	80
	575	5.6	43.0	8.7	1.4	2.4	1.8	0.0	None	-	-	-	17.7	19.5	20	25
									E18	18.0	2	17.3	24.7	26.9	25	30
									E24	24.0	2	23.1	31.9	34.1	35	35
									E36	34.0	2	32.7	43.9	46.1	45	50
									E54	54.0	2	52.0	55.0	57.2	60	60
150 (12.5)	208	23.1	160.0	36.0	3.0	9.6	5.5	0.0	None	-	-	-	73.7	79.2	90	100
									E18	13.5	2	37.5	73.7	79.2	90	100
									E24	18.0	2	50.0	74.5	81.3	90	100
									E36	25.5	2	70.8	100.5	107.4	110	110
									E54	40.6	2	112.7	152.9	159.7	175	175
	230	23.1	160.0	36.0	3.0	9.6	5.5	0.0	None	-	-	-	73.7	79.2	90	100
									E18	18.0	2	43.3	73.7	79.2	90	100
									E24	24.0	2	57.7	84.2	91.0	90	100
									E36	34.0	2	81.8	114.2	121.1	125	125
									E54	54.0	2	129.9	141.9	148.8	175	175
	460	12.2	87.0	19.0	1.6	4.7	2.2	0.0	None	-	-	-	38.6	40.8	50	50
									E18	18.0	2	21.7	38.6	40.8	50	50
									E24	24.0	2	28.9	42.0	44.7	50	50
									E36	34.0	2	40.9	57.0	59.7	60	60
									E54	54.0	2	65.0	70.8	73.6	80	80
	575	8.7	62.0	13.5	1.4	3.6	1.8	0.0	None	-	-	-	28.6	30.4	35	35
									E18	18.0	2	17.3	28.6	30.4	35	35
									E24	24.0	2	23.1	33.4	35.6	35	40
									E36	34.0	2	32.7	45.4	47.6	50	50
									E54	54.0	2	52.0	56.5	58.7	70	70

1. Minimum Circuit Ampacity.
2. Dual Element, Time Delay Type.
3. HACR type per NEC.

ZF078-150 Hi Static Motor - Without Powered Convenience Outlet

Size (Tons)	Volt	Compressors (each)			OD Fan Motors (each)	Supply Blower Motor	Pwr Exh Motor	Pwr Conv Outlet	Electric Heat Option				MCA ¹ (Amps)	MCA ¹ w/Pwr Exh (Amps)	Max Fuse ² / Breaker ³ Size (Amps)	Max Fuse ² / Breaker ³ Size w/ Pwr Exh (Amps)
		RLA	LRA	MCC	FLA	FLA	FLA	FLA	Model	kW	Stages	Amps				
078 (6.5)	208	9.8	68.0	14.5	2.1	6.8	5.5	0.0	None	-	-	-	33.1	38.6	40	45
									E09	6.8	1	18.9	33.1	39.0	40	45
									E18	13.5	2	37.5	55.3	62.2	60	70
									E24	18.0	2	50.0	71.0	77.8	80	80
									E36	25.5	2	70.8	97.0	103.9	100	110
	230	9.8	68.0	14.5	2.1	6.8	5.5	0.0	None	-	-	-	33.1	38.6	40	45
									E09	9.0	1	21.7	35.6	42.4	40	45
									E18	18.0	2	43.3	62.6	69.5	70	70
									E24	24.0	2	57.7	80.7	87.5	90	90
									E36	34.0	2	81.8	110.7	117.6	125	125
	460	4.9	34.0	7.7	1.3	3.4	2.2	0.0	None	-	-	-	16.9	19.1	20	20
									E09	9.0	1	10.8	17.8	20.5	20	25
									E18	18.0	2	21.7	31.3	34.1	35	35
									E24	24.0	2	28.9	40.3	43.1	45	45
									E36	34.0	2	40.9	55.4	58.1	60	60
	575	3.8	28.0	6.0	0.7	2.4	1.8	0.0	None	-	-	-	12.3	14.1	15	15
									E09	9.0	1	8.7	13.8	16.1	15	20
									E18	18.0	2	17.3	24.7	26.9	25	30
									E24	24.0	2	23.1	31.9	34.1	35	35
									E36	34.0	2	32.7	43.9	46.1	45	50
090 (7.5)	208	11.9	88.0	18.5	3.0	9.6	5.5	0.0	None	-	-	-	42.4	47.9	50	50
									E09	6.8	1	18.9	42.4	47.9	50	50
									E18	13.5	2	37.5	58.8	65.7	60	70
									E24	18.0	2	50.0	74.5	81.3	80	90
									E36	25.5	2	70.8	100.5	107.4	110	110
	230	11.9	88.0	18.5	3.0	9.6	5.5	0.0	None	-	-	-	42.4	47.9	50	50
									E09	9.0	1	21.7	42.4	47.9	50	50
									E18	18.0	2	43.3	66.1	73.0	70	80
									E24	24.0	2	57.7	84.2	91.0	90	100
									E36	34.0	2	81.8	114.2	121.1	125	125
	460	5.2	44.0	8.1	1.6	4.7	2.2	0.0	None	-	-	-	19.6	21.8	20	25
									E09	9.0	1	10.8	19.6	22.2	20	25
									E18	18.0	2	21.7	32.9	35.7	35	40
									E24	24.0	2	28.9	42.0	44.7	45	45
									E36	34.0	2	40.9	57.0	59.7	60	60
	575	4.8	36.0	7.5	1.4	3.6	1.8	0.0	None	-	-	-	17.1	18.9	20	20
									E09	9.0	1	8.7	17.1	18.9	20	20
									E18	18.0	2	17.3	26.2	28.4	30	30
									E24	24.0	2	23.1	33.4	35.6	35	40
									E36	34.0	2	32.7	45.4	47.6	50	50
102 (8.5)	208	12.2	88.0	19.0	3.0	9.6	5.5	0.0	None	-	-	-	43.1	48.6	50	60
									E09	6.8	1	18.9	43.1	48.6	50	60
									E18	13.5	2	37.5	58.8	65.7	60	70
									E24	18.0	2	50.0	74.5	81.3	80	90
									E36	25.5	2	70.8	100.5	107.4	110	110
	230	12.2	88.0	19.0	3.0	9.6	5.5	0.0	None	-	-	-	43.1	48.6	50	60
									E09	9.0	1	21.7	43.1	48.6	50	60
									E18	18.0	2	43.3	66.1	73.0	70	80
									E24	24.0	2	57.7	84.2	91.0	90	100
									E36	34.0	2	81.8	114.2	121.1	125	125
	460	5.8	44.0	9.0	1.6	4.7	2.2	0.0	None	-	-	-	21.0	23.2	25	25
									E09	9.0	1	10.8	21.0	23.2	25	25
									E18	18.0	2	21.7	32.9	35.7	35	40
									E24	24.0	2	28.9	42.0	44.7	45	45
									E36	34.0	2	40.9	57.0	59.7	60	60
	575	4.4	36.0	5.5	1.4	3.6	1.8	0.0	None	-	-	-	16.2	18.0	20	20
									E09	9.0	1	8.7	16.2	18.0	20	20
									E18	18.0	2	17.3	26.2	28.4	30	30
									E24	24.0	2	23.1	33.4	35.6	35	40
									E36	34.0	2	32.7	45.4	47.6	50	50

ZF078-150 Hi Static Motor - Without Powered Convenience Outlet (Continued)

Size (Tons)	Volt	Compressors (each)			OD Fan Motors (each)	Supply Blower Motor	Pwr Exh Motor	Pwr Conv Outlet	Electric Heat Option				MCA ¹ (Amps)	MCA ¹ w/Pwr Exh (Amps)	Max Fuse ² / Breaker ³ Size (Amps)	Max Fuse ² / Breaker ³ Size w/ Pwr Exh (Amps)
		RLA	LRA	MCC	FLA	FLA	FLA	FLA	Model	kW	Stages	Amps				
120 (10)	208	14.6	110.0	21.7	3.0	9.6	5.5	0.0	None	-	-	-	48.5	54.0	60	60
									E18	13.5	2	37.5	58.8	65.7	60	70
									E24	18.0	2	50.0	74.5	81.3	80	90
									E36	25.5	2	70.8	100.5	107.4	110	110
									E54	40.6	2	112.7	152.9	159.7	175	175
	230	14.6	110.0	21.7	3.0	9.6	5.5	0.0	None	-	-	-	48.5	54.0	60	60
									E18	18.0	2	43.3	66.1	73.0	70	80
									E24	24.0	2	57.7	84.2	91.0	90	100
									E36	34.0	2	81.8	114.2	121.1	125	125
									E54	54.0	2	129.9	141.9	148.8	175	175
	460	7.4	55.0	11.5	1.6	4.7	2.2	0.0	None	-	-	-	24.6	26.8	30	30
									E18	18.0	2	21.7	32.9	35.7	35	40
									E24	24.0	2	28.9	42.0	44.7	45	45
									E36	34.0	2	40.9	57.0	59.7	60	60
									E54	54.0	2	65.0	70.8	73.6	80	80
	575	5.6	43.0	8.7	1.4	3.6	1.8	0.0	None	-	-	-	18.9	20.7	20	25
									E18	18.0	2	17.3	26.2	28.4	30	30
									E24	24.0	2	23.1	33.4	35.6	35	40
									E36	34.0	2	32.7	45.4	47.6	50	50
									E54	54.0	2	52.0	56.5	58.7	70	70
150 (12.5)	208	23.1	160.0	36.0	3.0	14.0	5.5	0.0	None	-	-	-	78.1	83.6	100	100
									E18	13.5	2	37.5	78.1	83.6	100	100
									E24	18.0	2	50.0	80.0	86.8	100	100
									E36	25.5	2	70.8	106.0	112.9	110	125
									E54	40.6	2	112.7	158.4	165.2	175	175
	230	23.1	160.0	36.0	3.0	14.0	5.5	0.0	None	-	-	-	78.1	83.6	100	100
									E18	18.0	2	43.3	78.1	83.6	100	100
									E24	24.0	2	57.7	89.7	96.5	100	100
									E36	34.0	2	81.8	119.7	126.6	125	150
									E54	54.0	2	129.9	147.4	154.3	175	175
	460	12.2	87.0	19.0	1.6	6.6	2.2	0.0	None	-	-	-	40.5	42.7	50	50
									E18	18.0	2	21.7	40.5	42.7	50	50
									E24	24.0	2	28.9	44.3	47.1	50	50
									E36	34.0	2	40.9	59.4	62.1	60	70
									E54	54.0	2	65.0	73.2	76.0	80	90
	575	8.7	62.0	13.5	1.4	5.2	1.8	0.0	None	-	-	-	30.2	32.0	35	40
									E18	18.0	2	17.3	30.2	32.0	35	40
									E24	24.0	2	23.1	35.4	37.6	40	40
									E36	34.0	2	32.7	47.4	49.6	50	50
									E54	54.0	2	52.0	58.5	60.7	70	70

1. Minimum Circuit Ampacity.
2. Dual Element, Time Delay Type.
3. HACR type per NEC.

ZF078-150 Standard Motor - With Powered Convenience Outlet

Size (Tons)	Volt	Compressors (each)			OD Fan Motors (each)	Supply Blower Motor	Pwr Exh Motor	Pwr Conv Outlet	Electric Heat Option				MCA ¹ (Amps)	MCA ¹ w/Pwr Exh (Amps)	Max Fuse ² / Breaker ³ Size (Amps)	Max Fuse ² / Breaker ³ Size w/ Pwr Exh (Amps)
		RLA	LRA	MCC	FLA	FLA	FLA	FLA	Model	kW	Stages	Amps				
078 (6.5)	208	9.8	68.0	14.5	2.1	5.2	5.5	10.0	None	-	-	-	41.5	47.0	50	50
									E09	6.8	1	18.9	42.6	49.5	50	50
									E18	13.5	2	37.5	65.8	72.7	70	80
									E24	18.0	2	50.0	81.5	88.3	90	90
									E36	25.5	2	70.8	107.5	114.4	110	125
	230	9.8	68.0	14.5	2.1	5.2	5.5	10.0	None	-	-	-	41.5	47.0	50	50
									E09	9.0	1	21.7	46.1	52.9	50	60
									E18	18.0	2	43.3	73.1	80.0	80	80
									E24	24.0	2	57.7	91.2	98.0	100	100
									E36	34.0	2	81.8	121.2	128.1	125	150
	460	4.9	34.0	7.7	1.3	2.6	2.2	5.0	None	-	-	-	21.2	23.4	25	25
									E09	9.0	1	10.8	23.0	25.8	25	30
									E18	18.0	2	21.7	36.6	39.3	40	40
									E24	24.0	2	28.9	45.6	48.3	50	50
									E36	34.0	2	40.9	60.6	63.4	70	70
	575	3.8	28.0	6.0	0.7	2.0	1.8	4.0	None	-	-	-	15.9	17.7	20	20
									E09	9.0	1	8.7	18.3	20.6	20	25
									E18	18.0	2	17.3	29.2	31.4	30	35
									E24	24.0	2	23.1	36.4	38.6	40	40
									E36	34.0	2	32.7	48.4	50.6	50	60
090 (7.5)	208	11.9	88.0	18.5	3.0	5.2	5.5	10.0	None	-	-	-	48.0	53.5	50	60
									E09	6.8	1	18.9	48.0	53.5	50	60
									E18	13.5	2	37.5	65.8	72.7	70	80
									E24	18.0	2	50.0	81.5	88.3	90	90
									E36	25.5	2	70.8	107.5	114.4	110	125
	230	11.9	88.0	18.5	3.0	5.2	5.5	10.0	None	-	-	-	48.0	53.5	50	60
									E09	9.0	1	21.7	48.0	53.5	50	60
									E18	18.0	2	43.3	73.1	80.0	80	80
									E24	24.0	2	57.7	91.2	98.0	100	100
									E36	34.0	2	81.8	121.2	128.1	125	150
	460	5.2	44.0	8.1	1.6	2.6	2.2	5.0	None	-	-	-	22.5	24.7	25	25
									E09	9.0	1	10.8	23.0	25.8	25	30
									E18	18.0	2	21.7	36.6	39.3	40	40
									E24	24.0	2	28.9	45.6	48.3	50	50
									E36	34.0	2	40.9	60.6	63.4	70	70
	575	4.8	36.0	7.5	1.4	2.0	1.8	4.0	None	-	-	-	19.5	21.3	20	25
									E09	9.0	1	8.7	19.5	21.3	20	25
									E18	18.0	2	17.3	29.2	31.4	30	35
									E24	24.0	2	23.1	36.4	38.6	40	40
									E36	34.0	2	32.7	48.4	50.6	50	60
102 (8.5)	208	12.2	88.0	19.0	3.0	6.8	5.5	10.0	None	-	-	-	50.3	55.8	60	60
									E09	6.8	1	18.9	50.3	55.8	60	60
									E18	13.5	2	37.5	67.8	74.7	70	80
									E24	18.0	2	50.0	83.5	90.3	90	100
									E36	25.5	2	70.8	109.5	116.4	110	125
	230	12.2	88.0	19.0	3.0	6.8	5.5	10.0	None	-	-	-	50.3	55.8	60	60
									E09	9.0	1	21.7	50.3	55.8	60	60
									E18	18.0	2	43.3	75.1	82.0	80	90
									E24	24.0	2	57.7	93.2	100.0	100	100
									E36	34.0	2	81.8	123.2	130.1	125	150
	460	5.8	44.0	9.0	1.6	3.4	2.2	5.0	None	-	-	-	24.7	26.9	30	30
									E09	9.0	1	10.8	24.7	26.9	30	30
									E18	18.0	2	21.7	37.6	40.3	40	45
									E24	24.0	2	28.9	46.6	49.3	50	50
									E36	34.0	2	40.9	61.6	64.4	70	70
	575	4.4	36.0	5.5	1.4	2.4	1.8	4.0	None	-	-	-	19.0	20.8	20	25
									E09	9.0	1	8.7	19.0	21.1	20	25
									E18	18.0	2	17.3	29.7	31.9	30	35
									E24	24.0	2	23.1	36.9	39.1	40	40
									E36	34.0	2	32.7	48.9	51.1	50	60

ZF078-150 Standard Motor - With Powered Convenience Outlet (Continued)

Size (Tons)	Volt	Compressors (each)			OD Fan Motors (each)	Supply Blower Motor	Pwr Exh Motor	Pwr Conv Outlet	Electric Heat Option				MCA ¹ (Amps)	MCA ¹ w/Pwr Exh (Amps)	Max Fuse ^{2/} Breaker ³ Size (Amps)	Max Fuse ^{2/} Breaker ³ Size w/ Pwr Exh (Amps)
		RLA	LRA	MCC	FLA	FLA	FLA	FLA	Model	kW	Stages	Amps				
120 (10)	208	14.6	110.0	21.7	3.0	6.8	5.5	10.0	None	-	-	-	55.7	61.2	70	70
									E18	13.5	2	37.5	67.8	74.7	70	80
									E24	18.0	2	50.0	83.5	90.3	90	100
									E36	25.5	2	70.8	109.5	116.4	110	125
									E54	40.6	2	112.7	161.9	168.7	175	175
	230	14.6	110.0	21.7	3.0	6.8	5.5	10.0	None	-	-	-	55.7	61.2	70	70
									E18	18.0	2	43.3	75.1	82.0	80	90
									E24	24.0	2	57.7	93.2	100.0	100	100
									E36	34.0	2	81.8	123.2	130.1	125	150
									E54	54.0	2	129.9	150.9	157.8	175	175
	460	7.4	55.0	11.5	1.6	3.4	2.2	5.0	None	-	-	-	28.3	30.5	35	35
									E18	18.0	2	21.7	37.6	40.3	40	45
									E24	24.0	2	28.9	46.6	49.3	50	50
									E36	34.0	2	40.9	61.6	64.4	70	70
									E54	54.0	2	65.0	75.5	78.2	80	90
	575	5.6	43.0	8.7	1.4	2.4	1.8	4.0	None	-	-	-	21.7	23.5	25	25
									E18	18.0	2	17.3	29.7	31.9	30	35
									E24	24.0	2	23.1	36.9	39.1	40	40
									E36	34.0	2	32.7	48.9	51.1	50	60
									E54	54.0	2	52.0	60.0	62.2	70	70
150 (12.5)	208	23.1	160.0	36.0	3.0	9.6	5.5	10.0	None	-	-	-	83.7	89.2	100	110
									E18	13.5	2	37.5	83.7	89.2	100	110
									E24	18.0	2	50.0	87.0	93.8	100	110
									E36	25.5	2	70.8	113.0	119.9	125	125
									E54	40.6	2	112.7	165.4	172.2	175	175
	230	23.1	160.0	36.0	3.0	9.6	5.5	10.0	None	-	-	-	83.7	89.2	100	110
									E18	18.0	2	43.3	83.7	89.2	100	110
									E24	24.0	2	57.7	96.7	103.5	100	110
									E36	34.0	2	81.8	126.7	133.6	150	150
									E54	54.0	2	129.9	154.4	161.3	175	175
	460	12.2	87.0	19.0	1.6	4.7	2.2	5.0	None	-	-	-	43.6	45.8	50	50
									E18	18.0	2	21.7	43.6	45.8	50	50
									E24	24.0	2	28.9	48.2	51.0	50	60
									E36	34.0	2	40.9	63.2	66.0	70	70
									E54	54.0	2	65.0	77.1	79.8	90	90
	575	8.7	62.0	13.5	1.4	3.6	1.8	4.0	None	-	-	-	32.6	34.4	40	40
									E18	18.0	2	17.3	32.6	34.4	40	40
									E24	24.0	2	23.1	38.4	40.6	40	45
									E36	34.0	2	32.7	50.4	52.6	60	60
									E54	54.0	2	52.0	61.5	63.7	70	70

1. Minimum Circuit Ampacity.
2. Dual Element, Time Delay Type.
3. HACR type per NEC.

ZF078-150 Hi Static Motor - With Powered Convenience Outlet

Size (Tons)	Volt	Compressors (each)			OD Fan Motors (each)	Supply Blower Motor	Pwr Exh Motor	Pwr Conv Outlet	Electric Heat Option				MCA ¹ (Amps)	MCA ¹ w/Pwr Exh (Amps)	Max Fuse ² / Breaker ³ Size (Amps)	Max Fuse ² / Breaker ³ Size w/ Pwr Exh (Amps)
		RLA	LRA	MCC	FLA	FLA	FLA	FLA	Model	kW	Stages	Amps				
078 (6.5)	208	9.8	68.0	14.5	2.1	6.8	5.5	10.0	None	-	-	-	43.1	48.6	50	50
									E09	6.8	1	18.9	44.6	51.5	50	60
									E18	13.5	2	37.5	67.8	74.7	70	80
									E24	18.0	2	50.0	83.5	90.3	90	100
									E36	25.5	2	70.8	109.5	116.4	110	125
	230	9.8	68.0	14.5	2.1	6.8	5.5	10.0	None	-	-	-	43.1	48.6	50	50
									E09	9.0	1	21.7	48.1	54.9	50	60
									E18	18.0	2	43.3	75.1	82.0	80	90
									E24	24.0	2	57.7	93.2	100.0	100	100
									E36	34.0	2	81.8	123.2	130.1	125	150
	460	4.9	34.0	7.7	1.3	3.4	2.2	5.0	None	-	-	-	22.0	24.2	25	25
									E09	9.0	1	10.8	24.0	26.8	25	30
									E18	18.0	2	21.7	37.6	40.3	40	45
									E24	24.0	2	28.9	46.6	49.3	50	50
									E36	34.0	2	40.9	61.6	64.4	70	70
	575	3.8	28.0	6.0	0.7	2.4	1.8	4.0	None	-	-	-	16.3	18.1	20	20
									E09	9.0	1	8.7	18.8	21.1	20	25
									E18	18.0	2	17.3	29.7	31.9	30	35
									E24	24.0	2	23.1	36.9	39.1	40	40
									E36	34.0	2	32.7	48.9	51.1	50	60
090 (7.5)	208	11.9	88.0	18.5	3.0	9.6	5.5	10.0	None	-	-	-	52.4	57.9	60	60
									E09	6.8	1	18.9	52.4	57.9	60	60
									E18	13.5	2	37.5	71.3	78.2	80	80
									E24	18.0	2	50.0	87.0	93.8	90	100
									E36	25.5	2	70.8	113.0	119.9	125	125
	230	11.9	88.0	18.5	3.0	9.6	5.5	10.0	None	-	-	-	52.4	57.9	60	60
									E09	9.0	1	21.7	52.4	58.4	60	60
									E18	18.0	2	43.3	78.6	85.5	80	90
									E24	24.0	2	57.7	96.7	103.5	100	110
									E36	34.0	2	81.8	126.7	133.6	150	150
	460	5.2	44.0	8.1	1.6	4.7	2.2	5.0	None	-	-	-	24.6	26.8	25	30
									E09	9.0	1	10.8	25.7	28.4	30	30
									E18	18.0	2	21.7	39.2	41.9	40	45
									E24	24.0	2	28.9	48.2	51.0	50	60
									E36	34.0	2	40.9	63.2	66.0	70	70
	575	4.8	36.0	7.5	1.4	3.6	1.8	4.0	None	-	-	-	21.1	22.9	25	25
									E09	9.0	1	8.7	21.1	22.9	25	25
									E18	18.0	2	17.3	31.2	33.4	35	35
									E24	24.0	2	23.1	38.4	40.6	40	45
									E36	34.0	2	32.7	50.4	52.6	60	60
102 (8.5)	208	12.2	88.0	19.0	3.0	9.6	5.5	10.0	None	-	-	-	53.1	58.6	60	70
									E09	6.8	1	18.9	53.1	58.6	60	70
									E18	13.5	2	37.5	71.3	78.2	80	80
									E24	18.0	2	50.0	87.0	93.8	90	100
									E36	25.5	2	70.8	113.0	119.9	125	125
	230	12.2	88.0	19.0	3.0	9.6	5.5	10.0	None	-	-	-	53.1	58.6	60	70
									E09	9.0	1	21.7	53.1	58.6	60	70
									E18	18.0	2	43.3	78.6	85.5	80	90
									E24	24.0	2	57.7	96.7	103.5	100	110
									E36	34.0	2	81.8	126.7	133.6	150	150
	460	5.8	44.0	9.0	1.6	4.7	2.2	5.0	None	-	-	-	26.0	28.2	30	30
									E09	9.0	1	10.8	26.0	28.4	30	30
									E18	18.0	2	21.7	39.2	41.9	40	45
									E24	24.0	2	28.9	48.2	51.0	50	60
									E36	34.0	2	40.9	63.2	66.0	70	70
	575	4.4	36.0	5.5	1.4	3.6	1.8	4.0	None	-	-	-	20.2	22.0	25	25
									E09	9.0	1	8.7	20.3	22.6	25	25
									E18	18.0	2	17.3	31.2	33.4	35	35
									E24	24.0	2	23.1	38.4	40.6	40	45
									E36	34.0	2	32.7	50.4	52.6	60	60

ZF078-150 Hi Static Motor - With Powered Convenience Outlet (Continued)

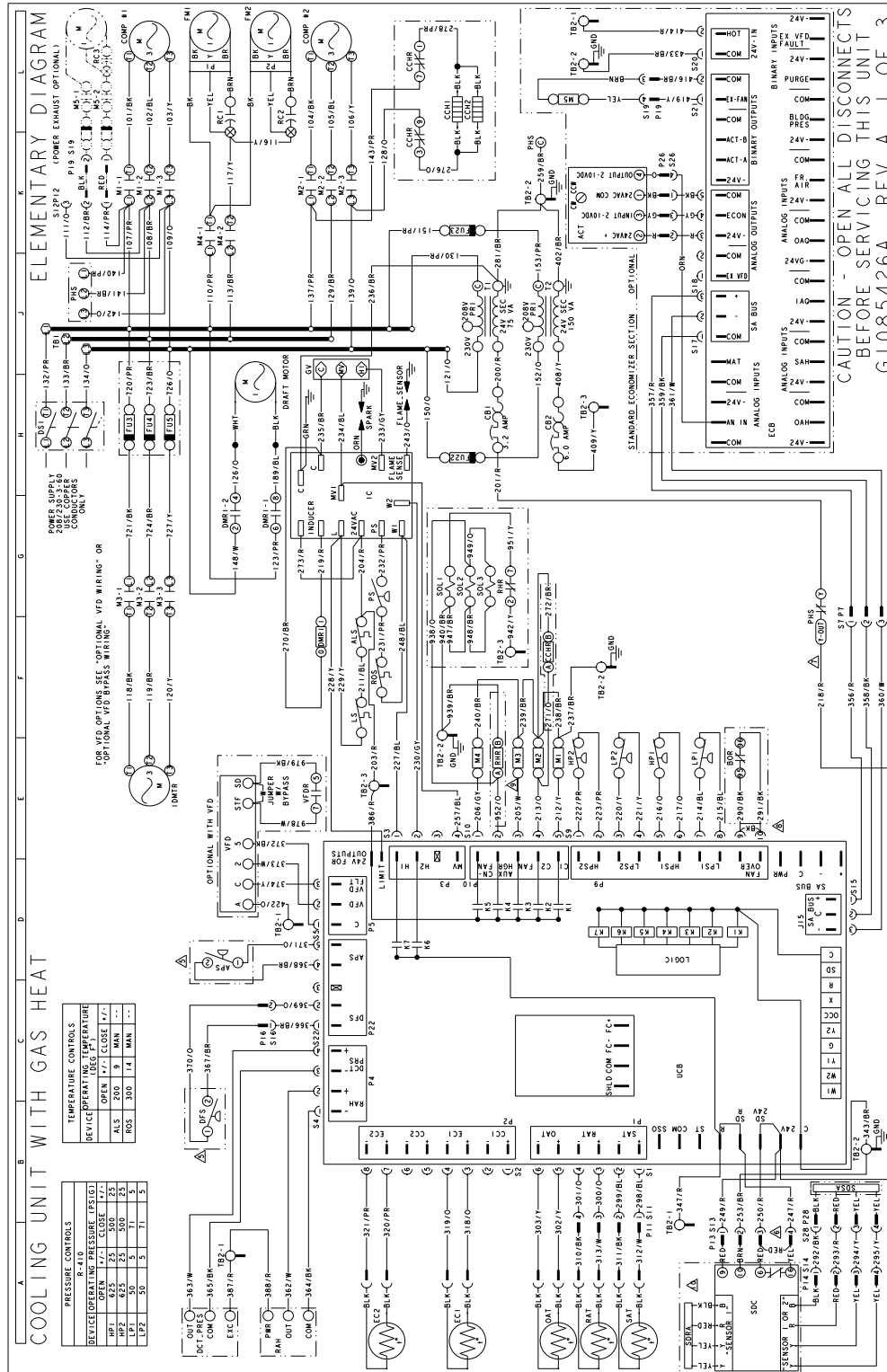
Size (Tons)	Volt	Compressors (each)			OD Fan Motors (each)	Supply Blower Motor	Pwr Exh Motor	Pwr Conv Outlet	Electric Heat Option				MCA ¹ (Amps)	MCA ¹ w/Pwr Exh (Amps)	Max Fuse ^{2/} Breaker ³ Size (Amps)	Max Fuse ^{2/} Breaker ³ Size w/ Pwr Exh (Amps)
		RLA	LRA	MCC	FLA	FLA	FLA	FLA	Model	kW	Stages	Amps				
120 (10)	208	14.6	110.0	21.7	3.0	9.6	5.5	10.0	None	-	-	-	58.5	64.0	70	70
									E18	13.5	2	37.5	71.3	78.2	80	80
									E24	18.0	2	50.0	87.0	93.8	90	100
									E36	25.5	2	70.8	113.0	119.9	125	125
									E54	40.6	2	112.7	165.4	172.2	175	175
	230	14.6	110.0	21.7	3.0	9.6	5.5	10.0	None	-	-	-	58.5	64.0	70	70
									E18	18.0	2	43.3	78.6	85.5	80	90
									E24	24.0	2	57.7	96.7	103.5	100	110
									E36	34.0	2	81.8	126.7	133.6	150	150
									E54	54.0	2	129.9	154.4	161.3	175	175
	460	7.4	55.0	11.5	1.6	4.7	2.2	5.0	None	-	-	-	29.6	31.8	35	35
									E18	18.0	2	21.7	39.2	41.9	40	45
									E24	24.0	2	28.9	48.2	51.0	50	60
									E36	34.0	2	40.9	63.2	66.0	70	70
									E54	54.0	2	65.0	77.1	79.8	90	90
	575	5.6	43.0	8.7	1.4	3.6	1.8	4.0	None	-	-	-	22.9	24.7	25	30
									E18	18.0	2	17.3	31.2	33.4	35	35
									E24	24.0	2	23.1	38.4	40.6	40	45
									E36	34.0	2	32.7	50.4	52.6	60	60
									E54	54.0	2	52.0	61.5	63.7	70	70
150 (12.5)	208	23.1	160.0	36.0	3.0	14.0	5.5	10.0	None	-	-	-	88.1	93.6	110	110
									E18	13.5	2	37.5	88.1	93.6	110	110
									E24	18.0	2	50.0	92.5	99.3	110	110
									E36	25.5	2	70.8	118.5	125.4	125	150
									E54	40.6	2	112.7	170.9	177.7	175	200
	230	23.1	160.0	36.0	3.0	14.0	5.5	10.0	None	-	-	-	88.1	93.6	110	110
									E18	18.0	2	43.3	88.1	93.6	110	110
									E24	24.0	2	57.7	102.2	109.0	110	110
									E36	34.0	2	81.8	132.2	139.1	150	150
									E54	54.0	2	129.9	159.9	166.8	175	175
	460	12.2	87.0	19.0	1.6	6.6	2.2	5.0	None	-	-	-	45.5	47.7	50	50
									E18	18.0	2	21.7	45.5	47.7	50	50
									E24	24.0	2	28.9	50.6	53.3	60	60
									E36	34.0	2	40.9	65.6	68.4	70	70
									E54	54.0	2	65.0	79.5	82.2	90	90
	575	8.7	62.0	13.5	1.4	5.2	1.8	4.0	None	-	-	-	34.2	36.0	40	40
									E18	18.0	2	17.3	34.2	36.0	40	40
									E24	24.0	2	23.1	40.4	42.6	45	45
									E36	34.0	2	32.7	52.4	54.6	60	60
									E54	54.0	2	52.0	63.5	65.7	70	70

1. Minimum Circuit Ampacity.
2. Dual Element, Time Delay Type.
3. HACR type per NEC.

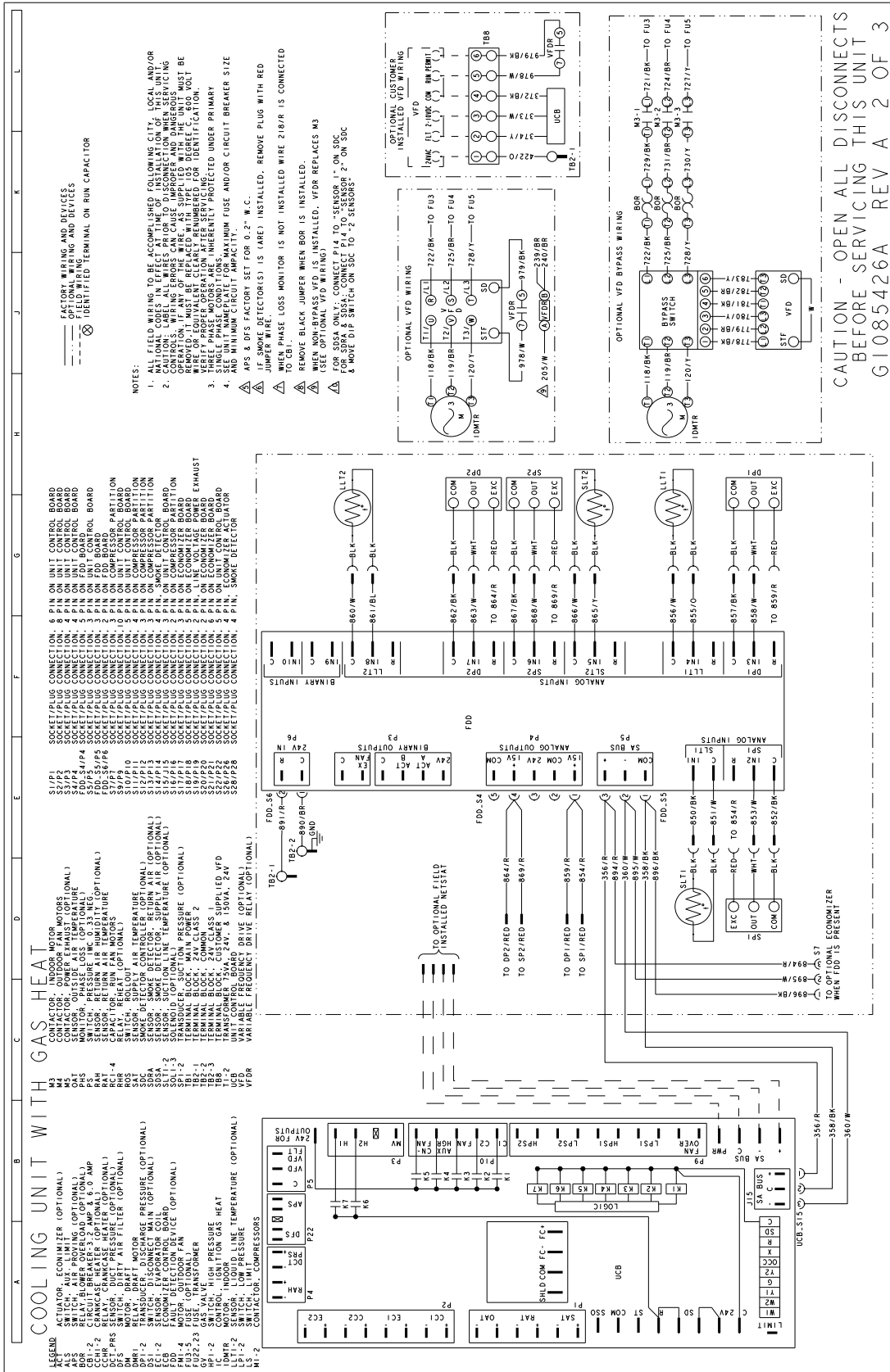
Typical Wiring Diagrams

ZF078-150 Typical Wiring Diagrams

Typical ZF078-120 Cooling Unit with Gas Heat 208/230 Volt Wiring Diagram

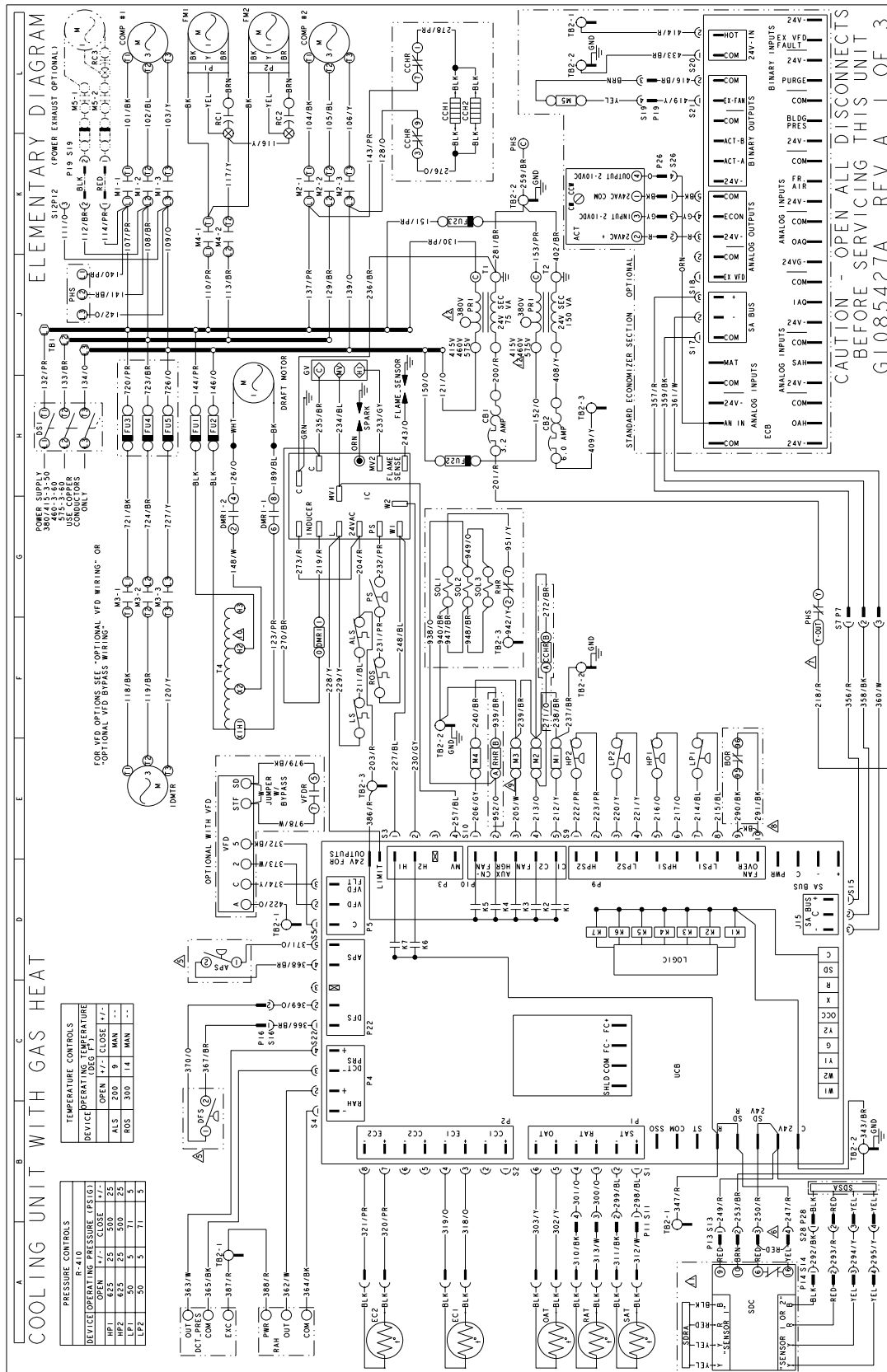


Typical ZF078-120 Cooling Unit with Gas Heat 208/230 Volt Unit (Options)

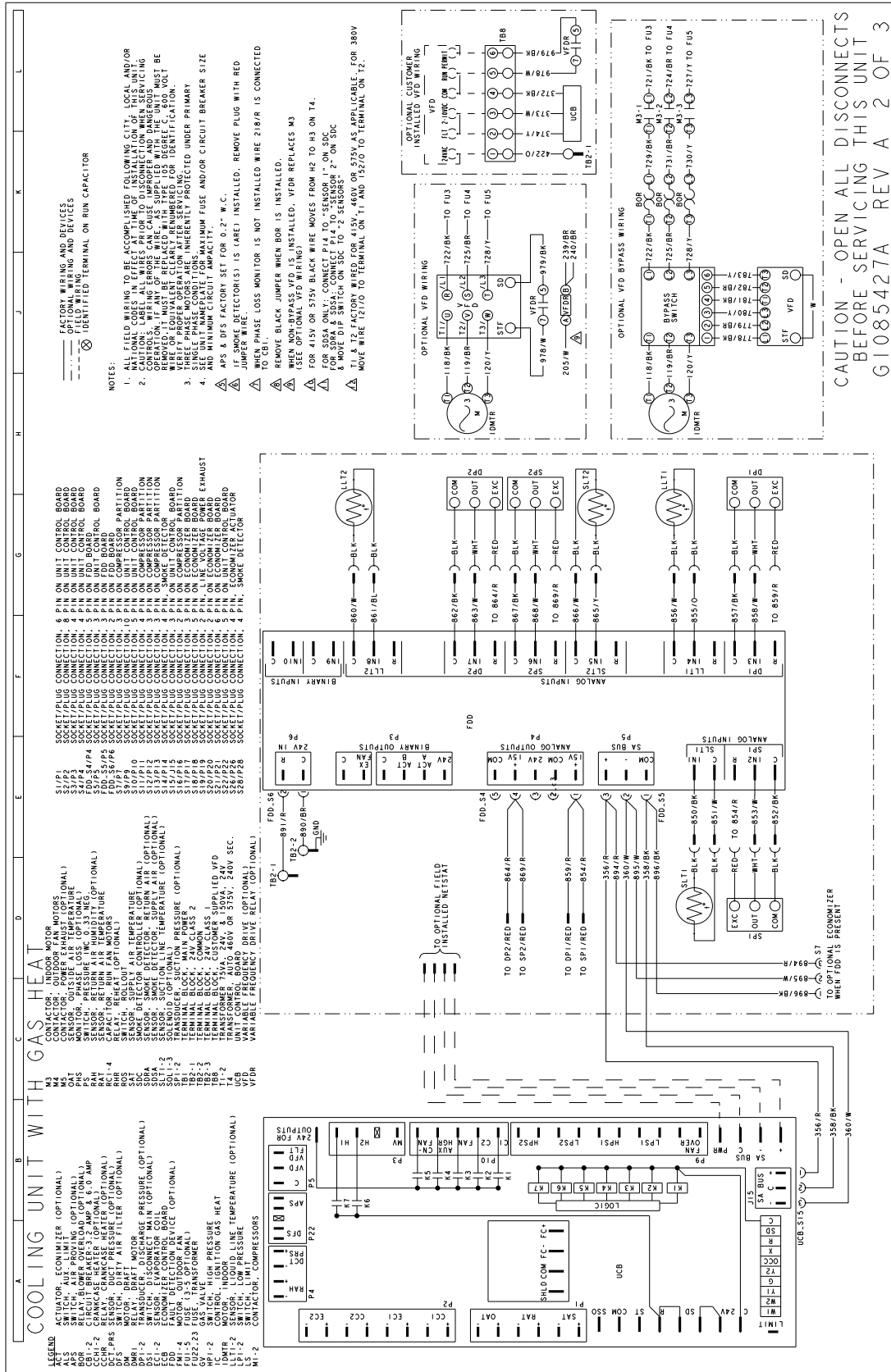


CAUTION - OPEN ALL DISCONNECTS BEFORE SERVICING THIS UNIT
G1085426A REV A 2 OF 3

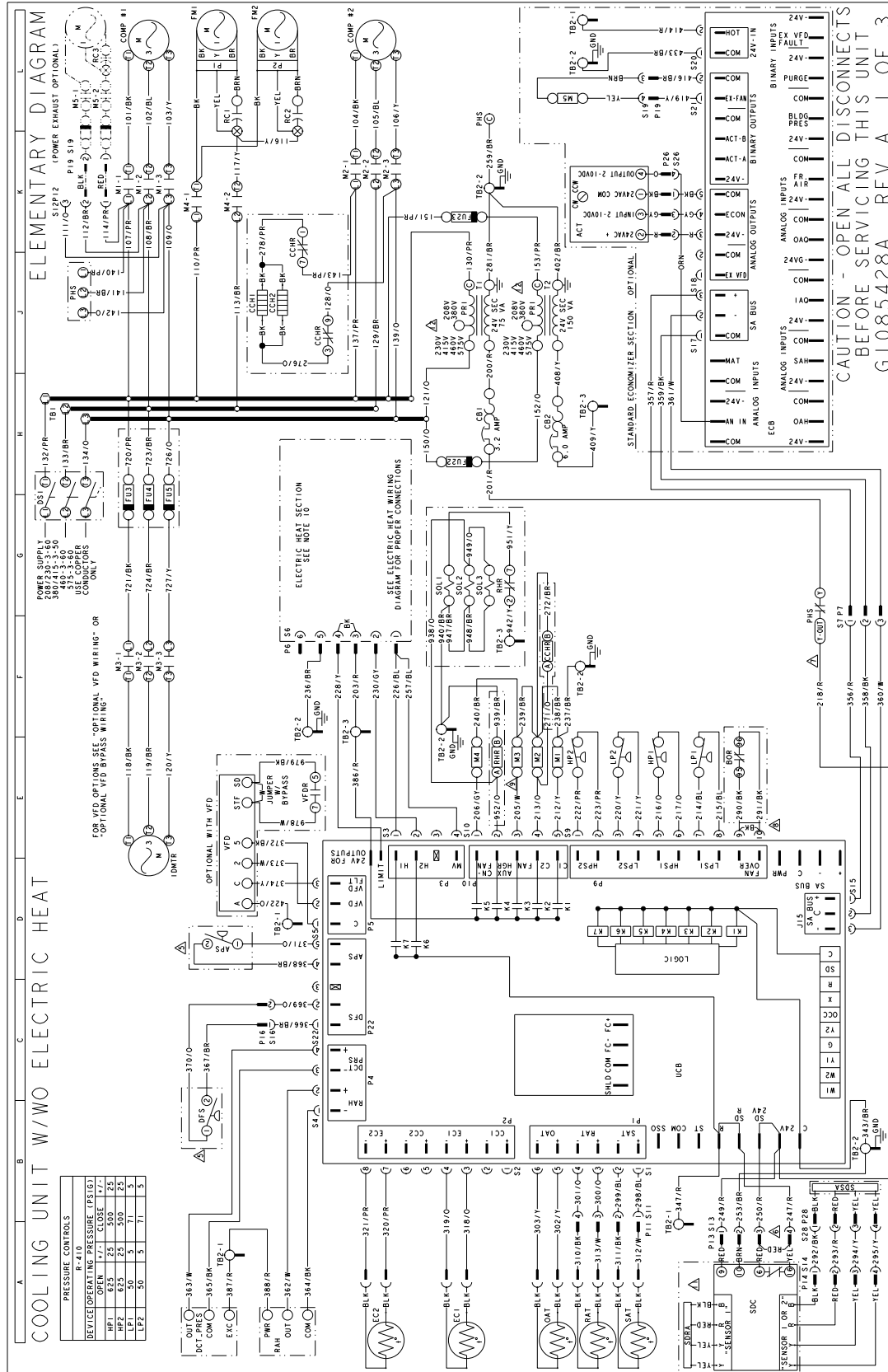
Typical ZF078-120 Cooling Unit with Gas Heat 460/575 Volt Wiring Diagram



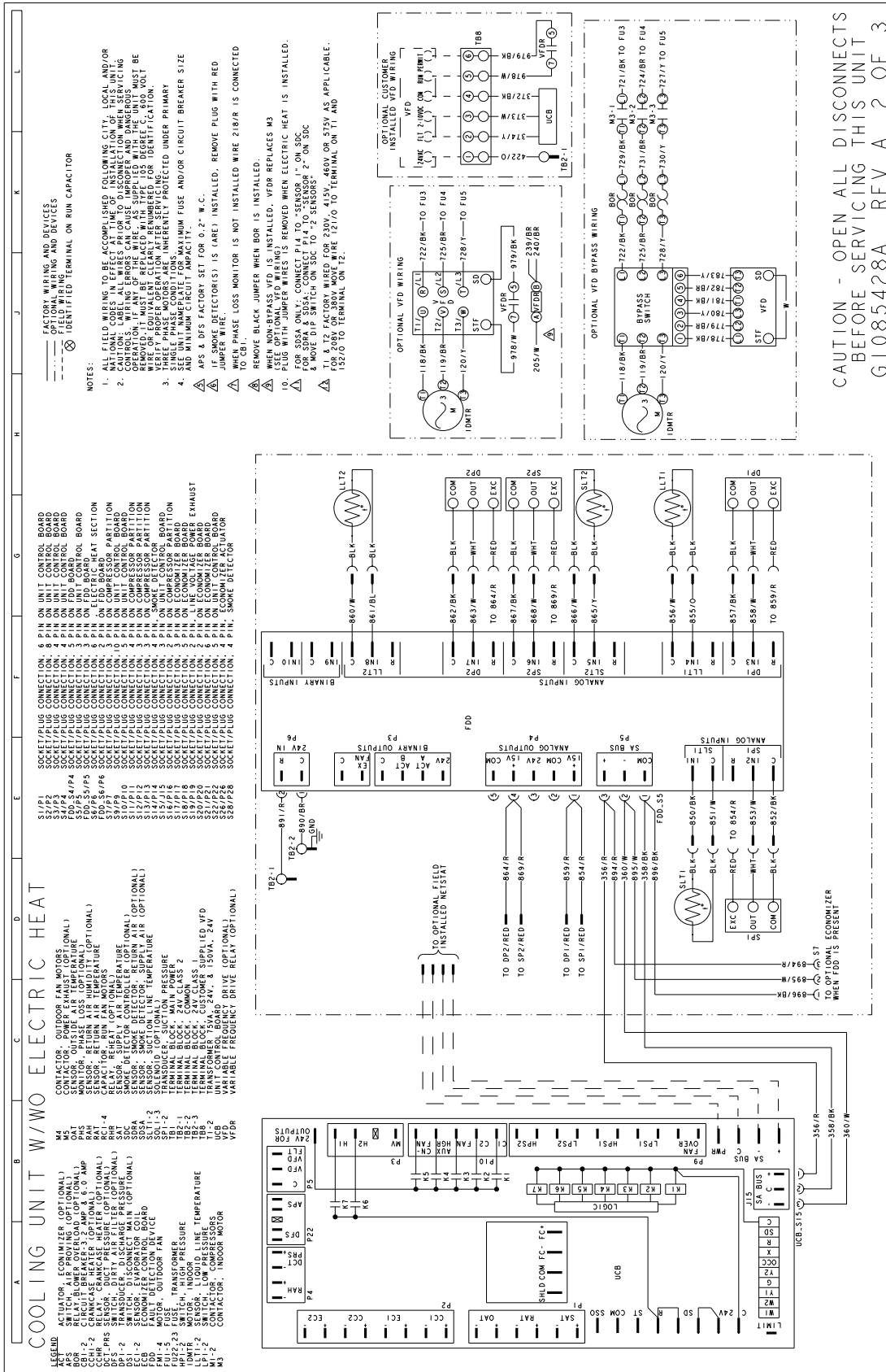
Typical ZF078-120 Cooling Unit with Gas Heat 460/575 Volt Unit (Options)



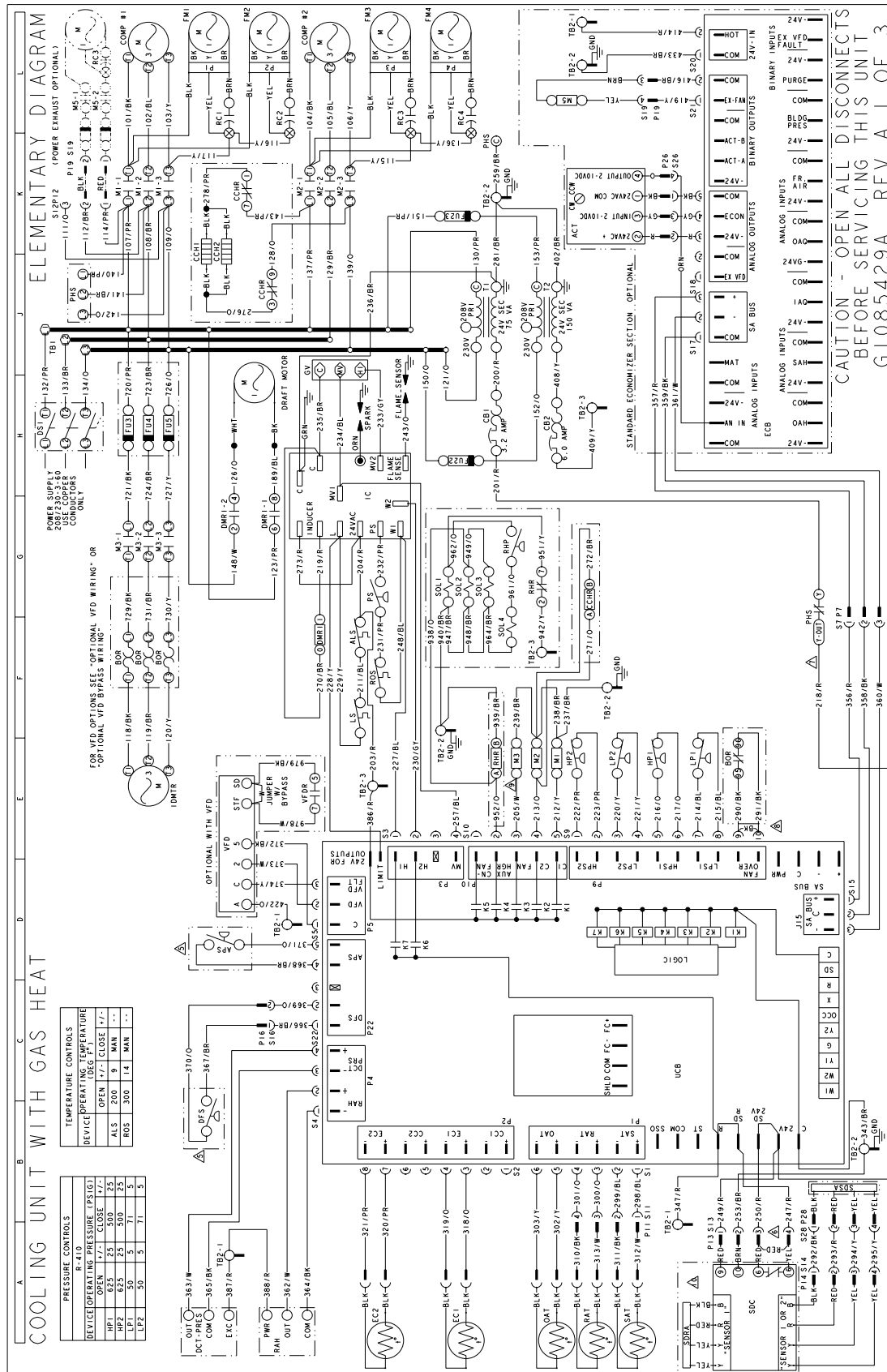
Typical ZF078-120 Cooling Unit with/without Electric Heat Wiring Diagram



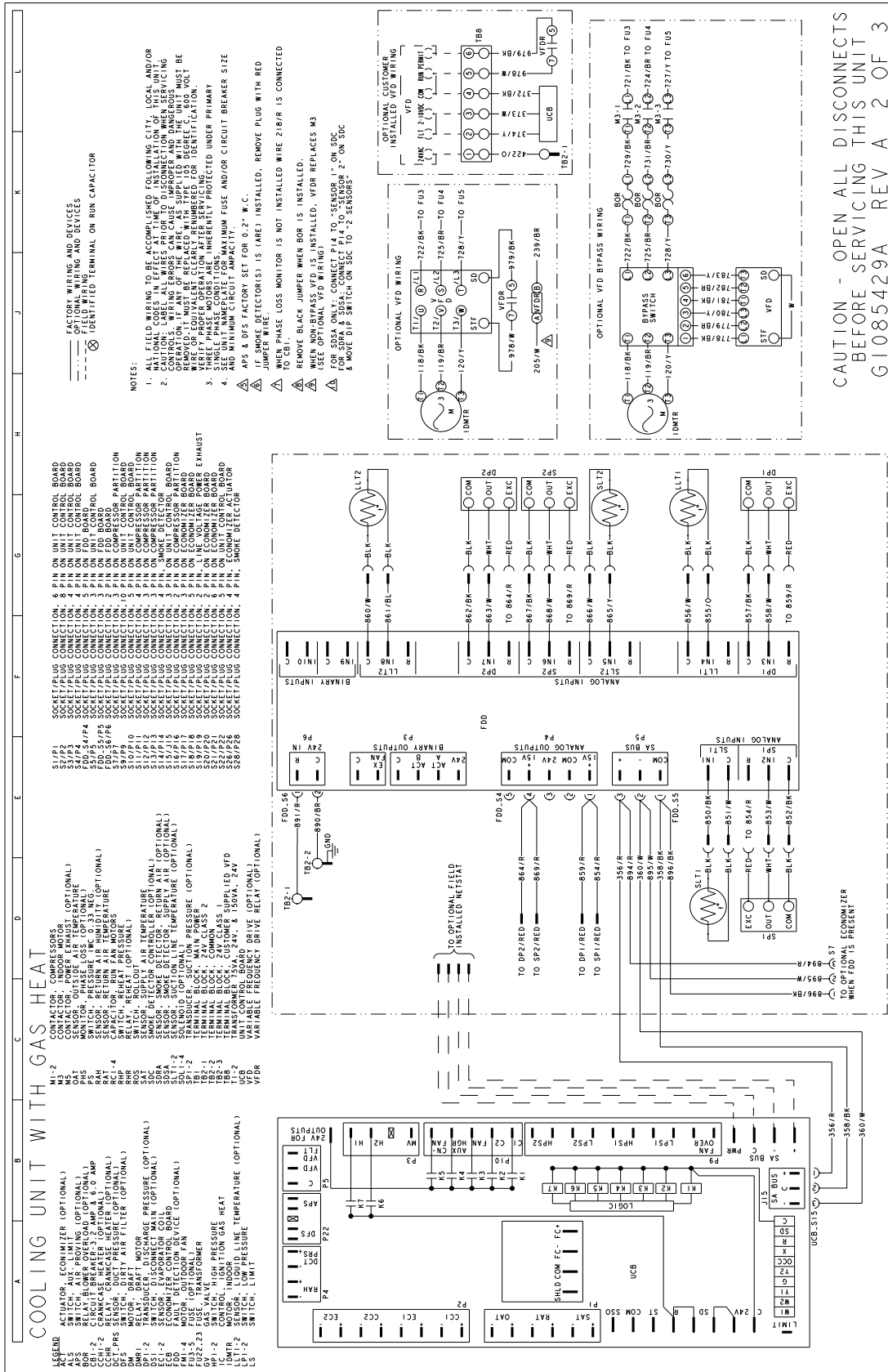
Typical ZF78-120 Cooling Unit with/without Electric Heat Unit (Options)



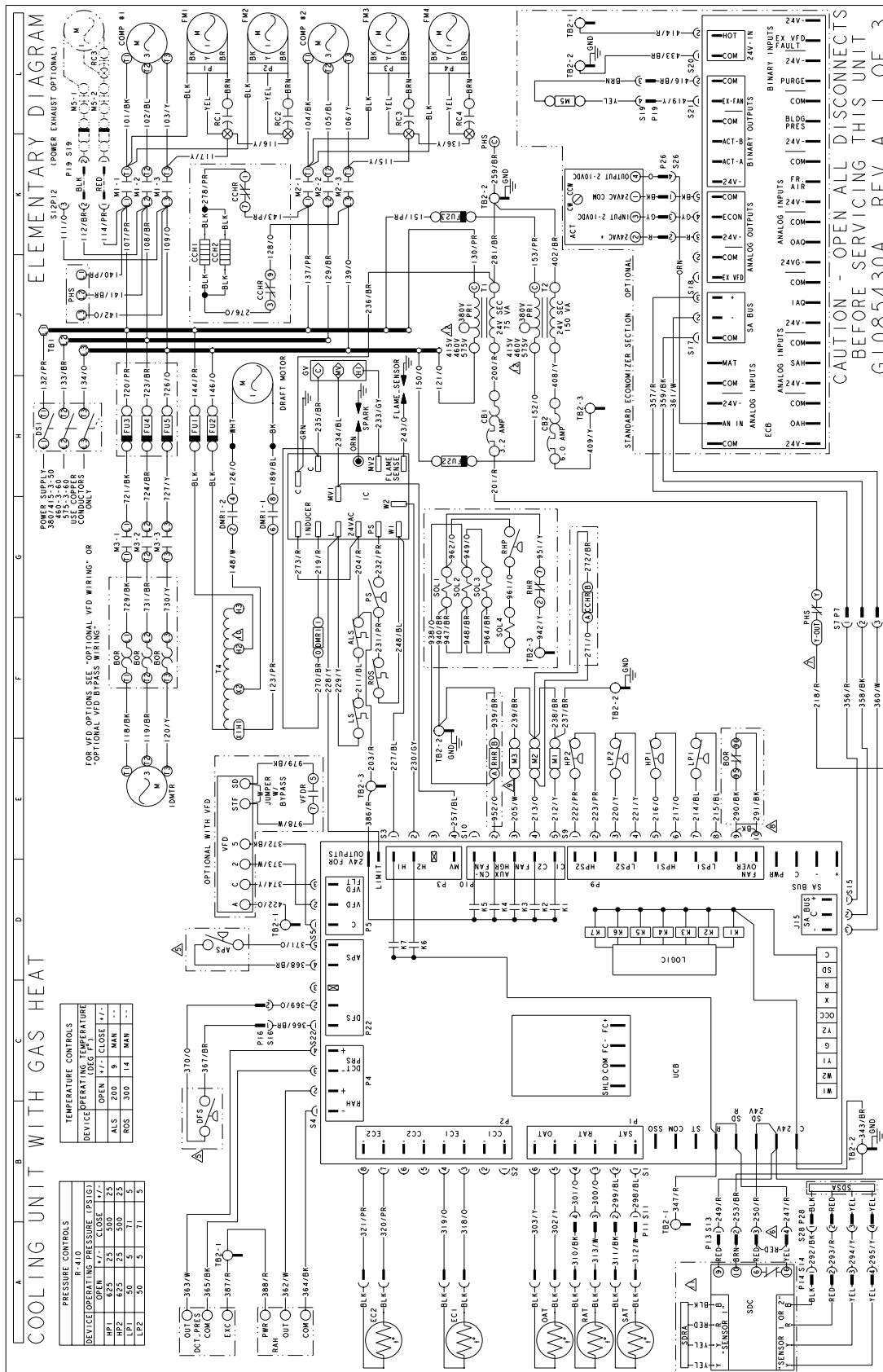
Typical ZF150 Cooling Unit with Gas Heat 208/230 Volt Wiring Diagram



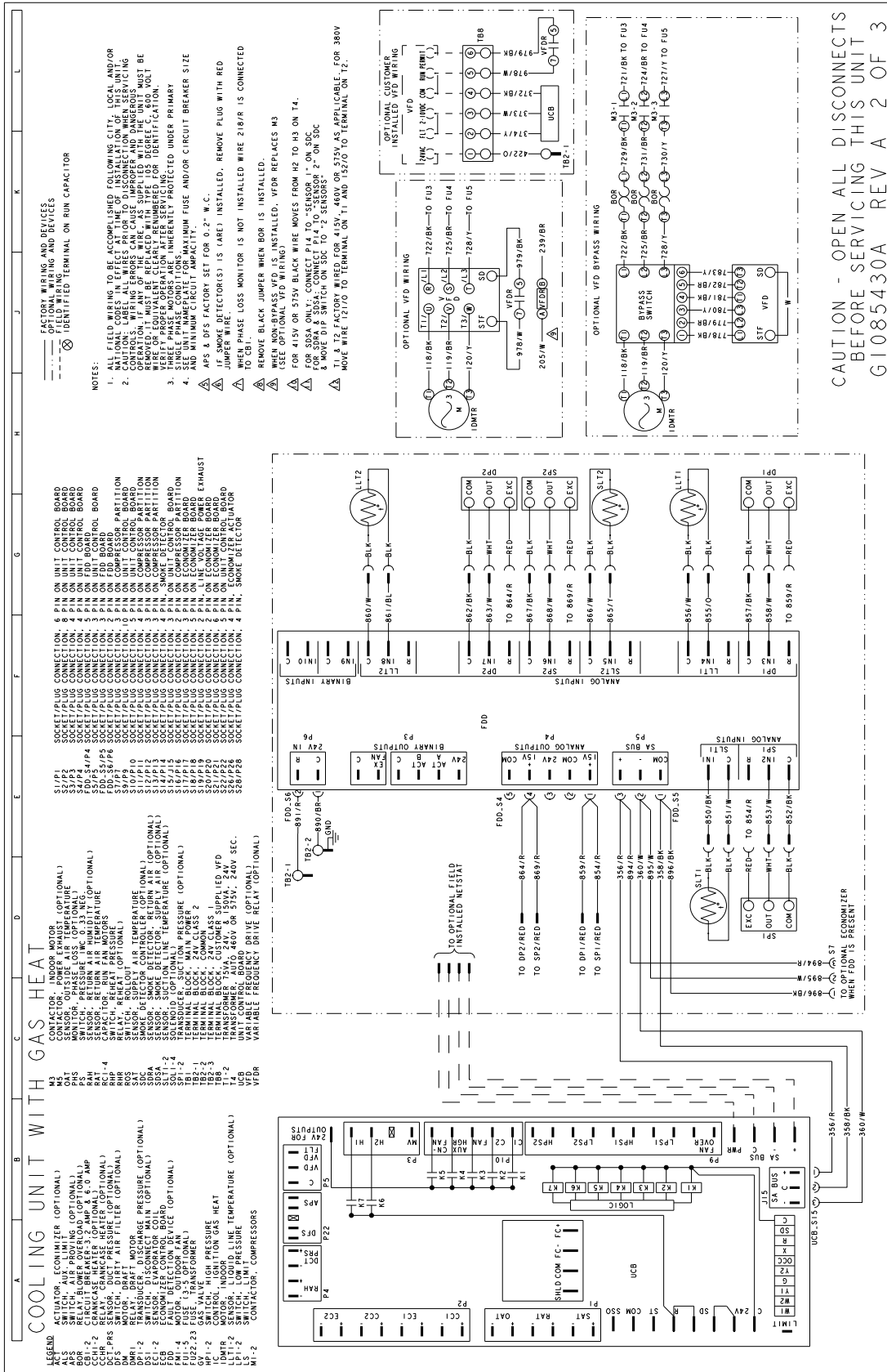
Typical ZF150 Cooling Unit with Gas Heat 208/230 Volt Unit (Options)



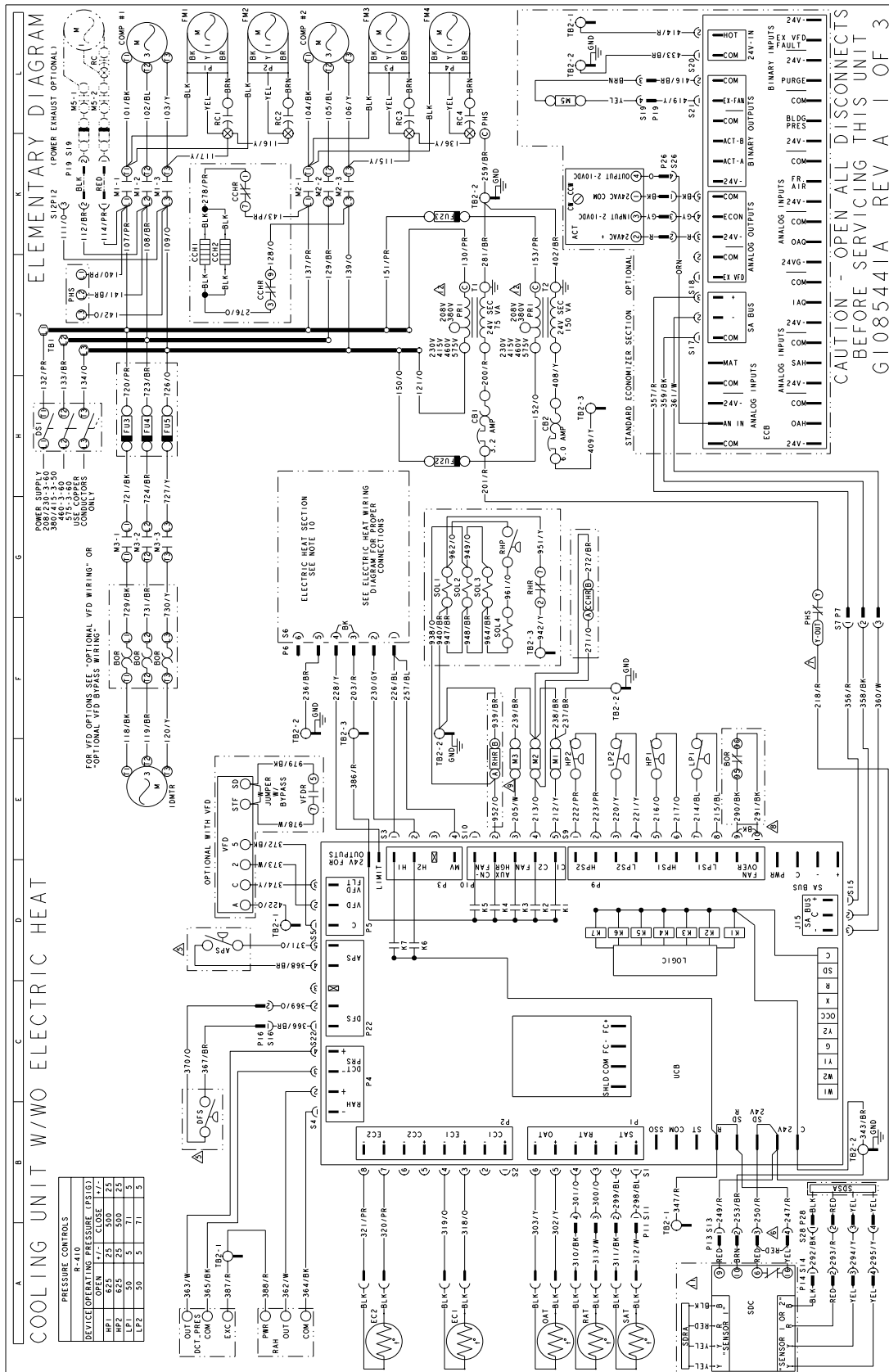
Typical ZF150 Cooling Unit with Gas Heat 460/575 Volt Wiring Diagram



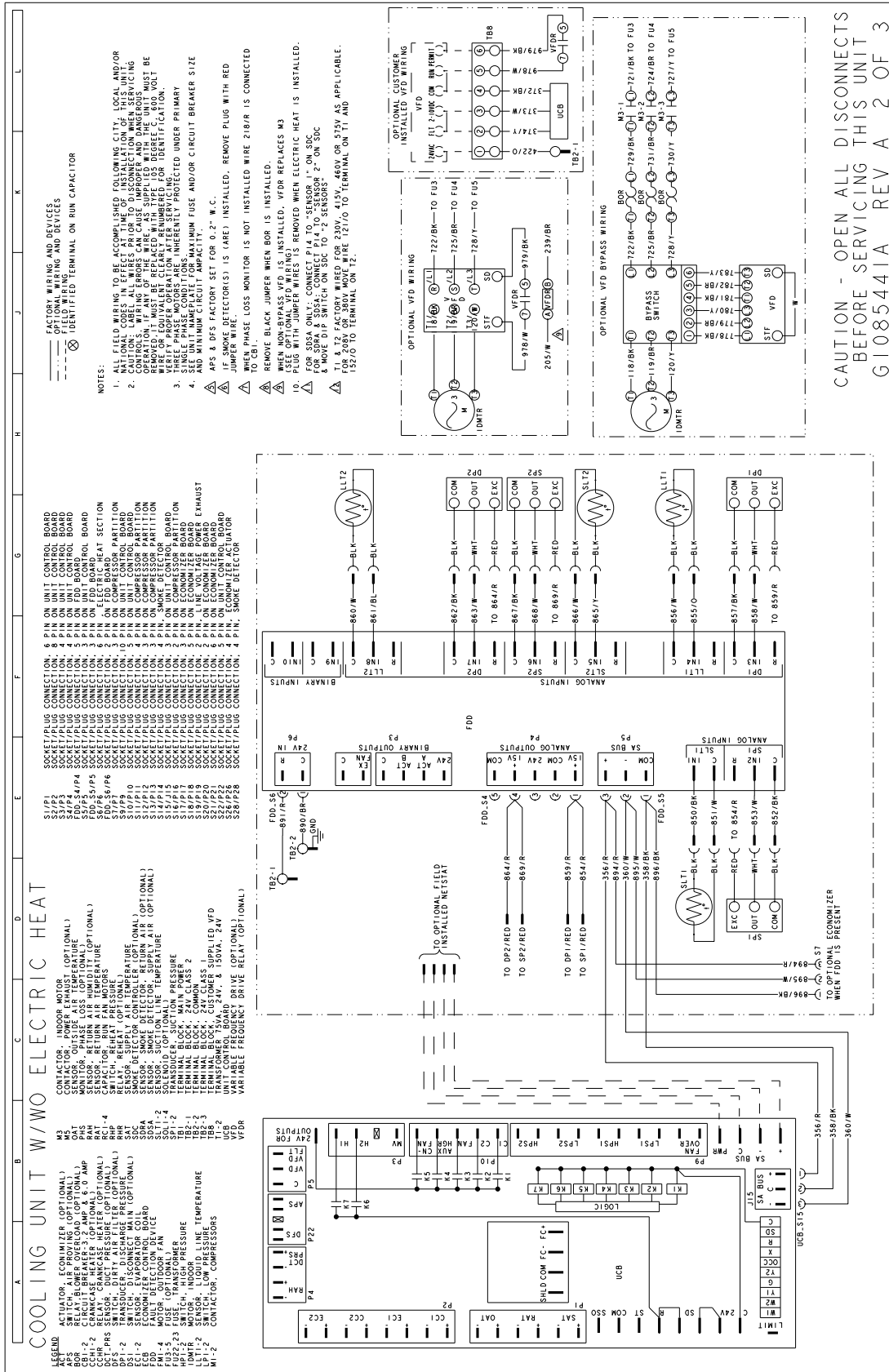
Typical ZF150 Cooling Unit with Gas Heat 460/575 Volt Unit (Options)



Typical ZF150 Cooling Unit with/without Electric Heat Wiring Diagram

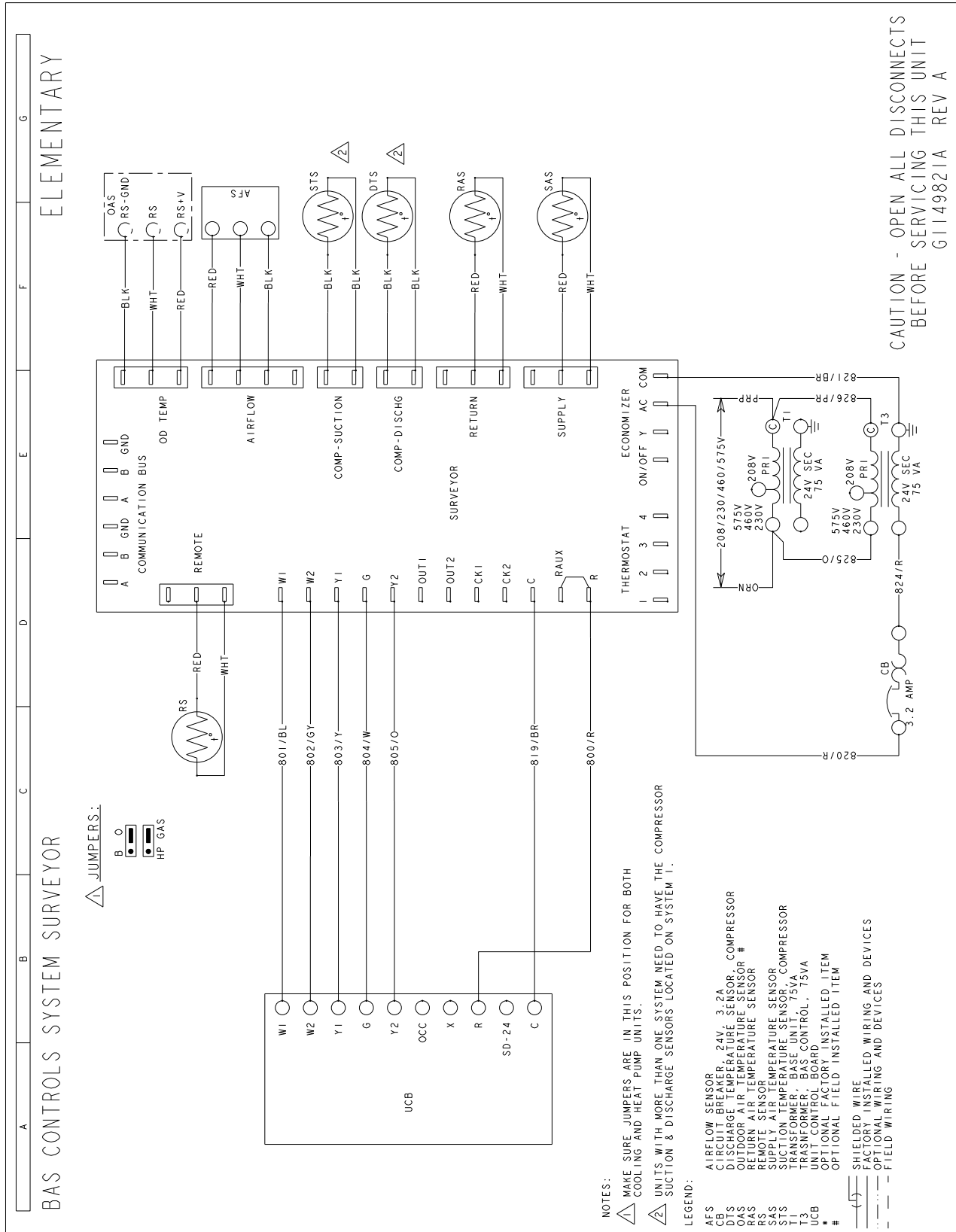


Typical ZF150 Cooling Unit with/without Electric Heat Unit (Options)

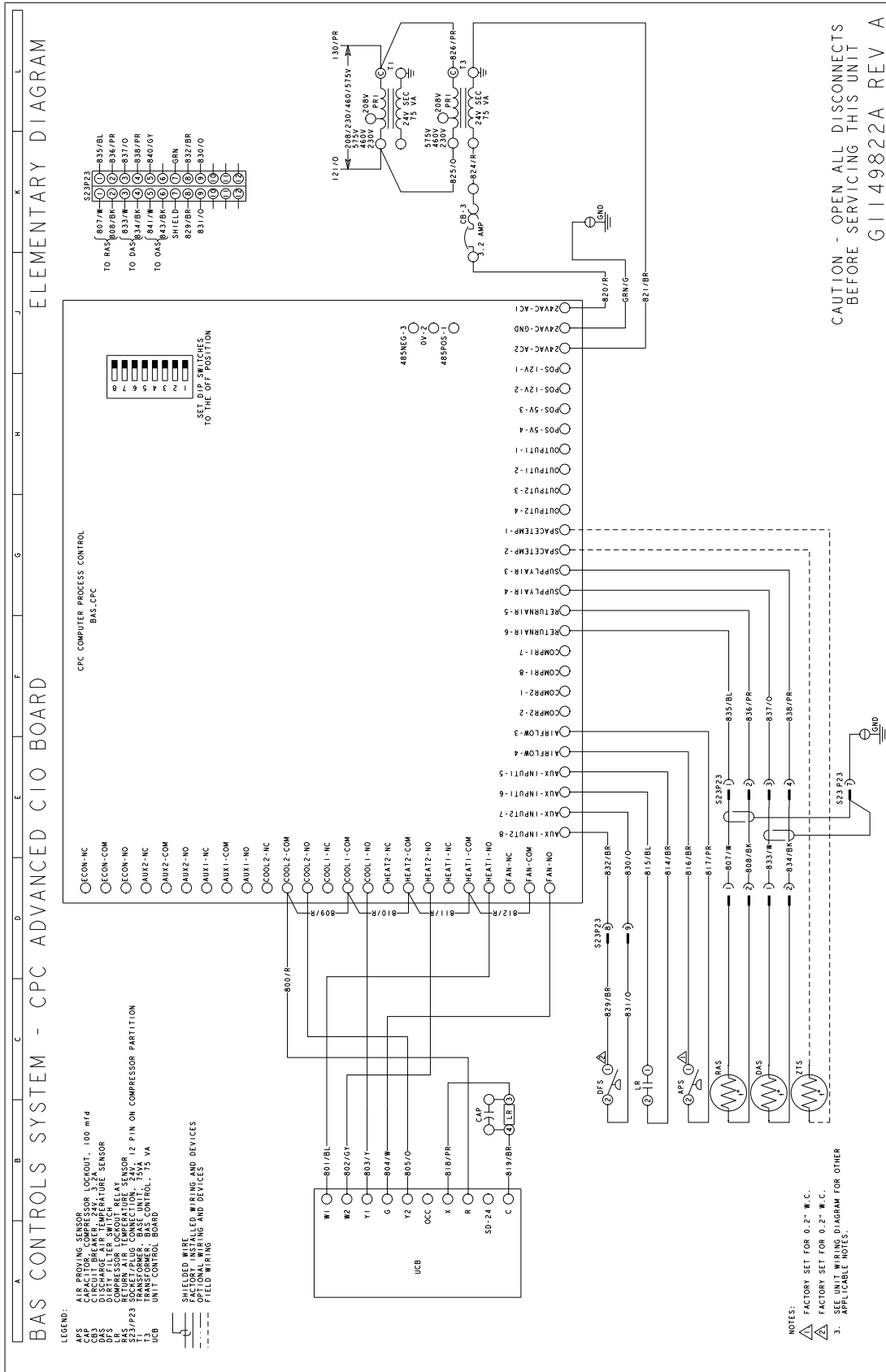


BAS Controls Typical Wiring Diagrams

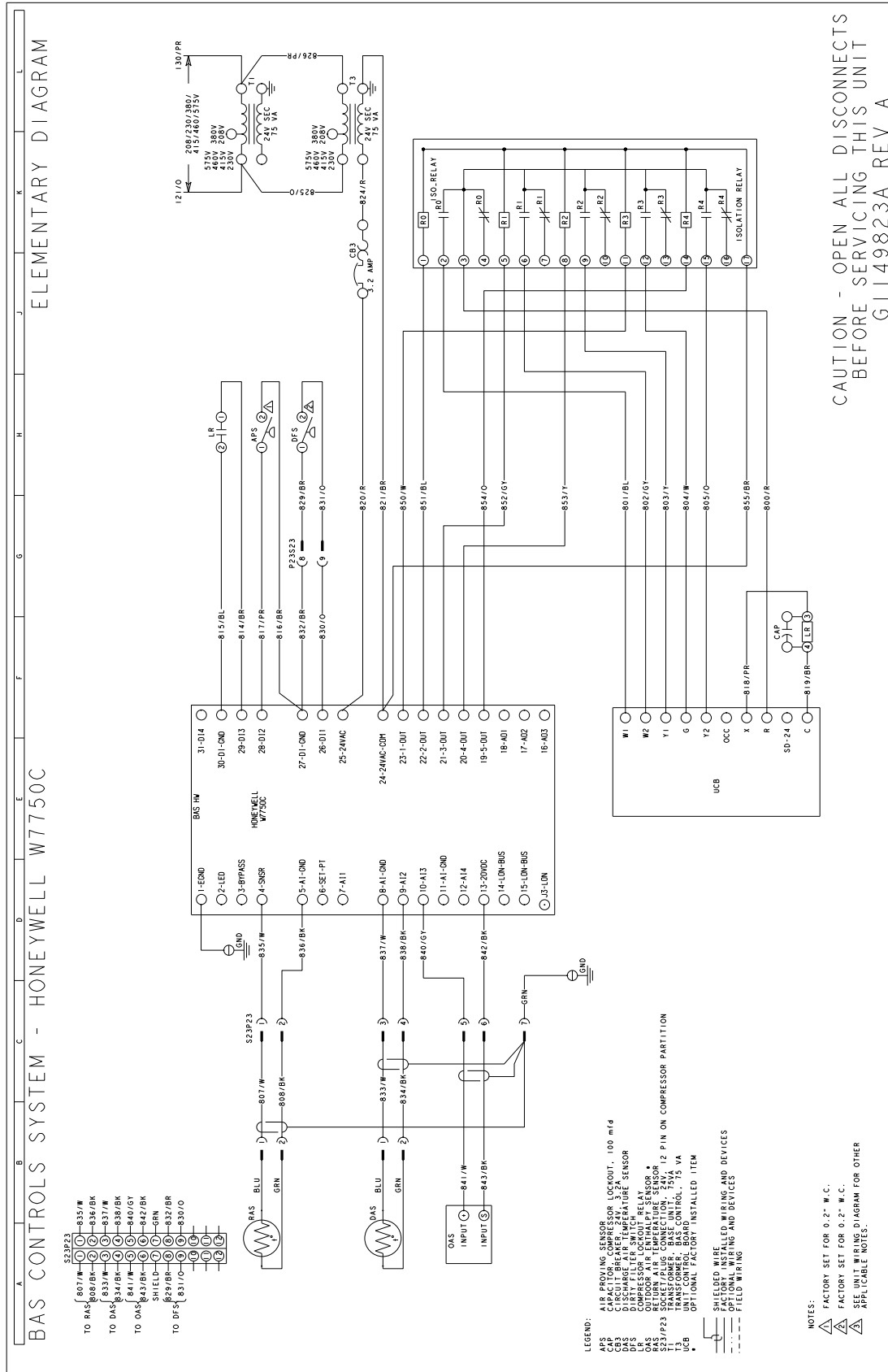
Typical SURVEYOR BAS Control Wiring Diagram



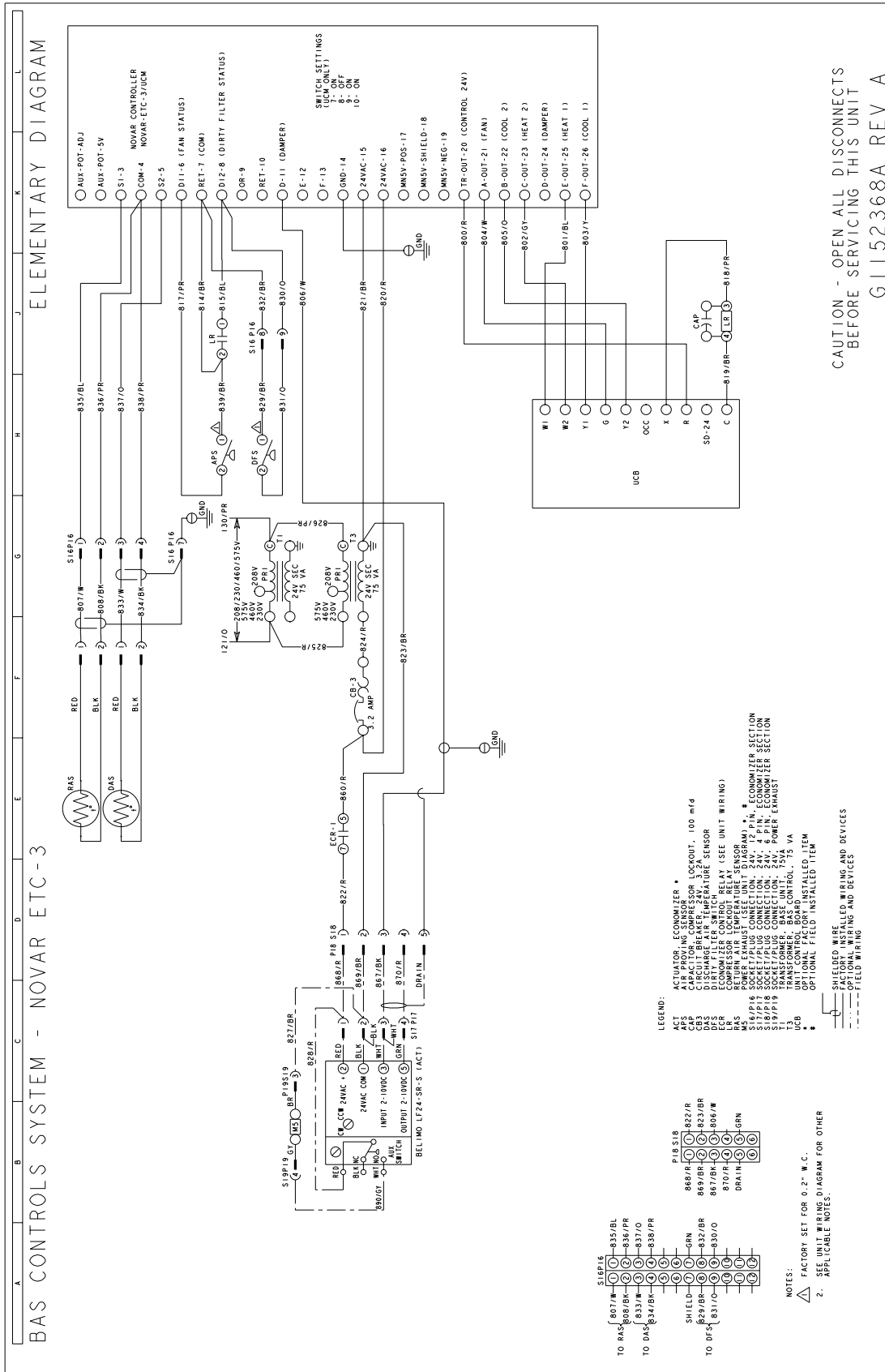
Typical CPC BAS Control Wiring Diagram



Typical HONEYWELL BAS Control Wiring Diagram



Typical HONEYWELL BAS Control Wiring Diagram

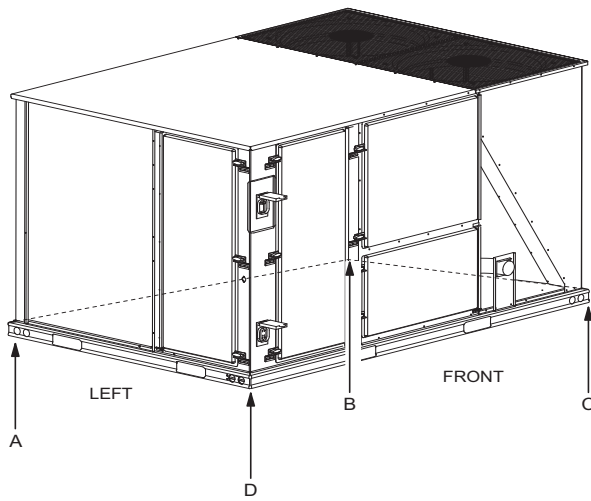


CAUTION - OPEN ALL DISCONNECTS
BEFORE SERVICING THIS UNIT
G1152368A REV A

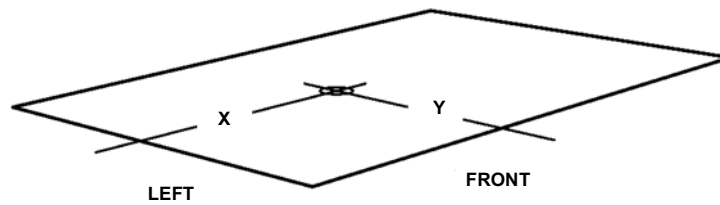
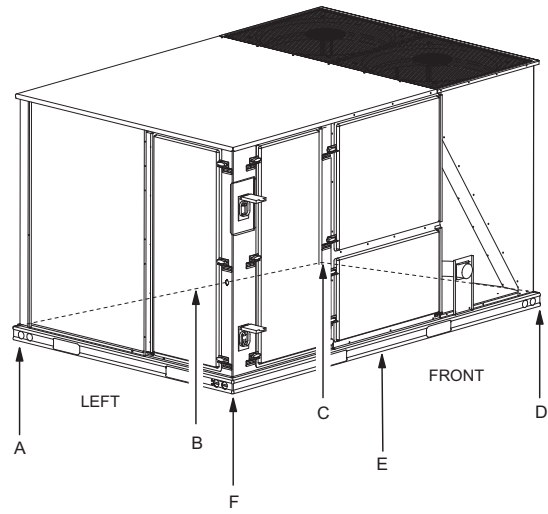
Weights and Dimensions

ZF078-150 Unit Weights

Unit 4 Point Load Weight



Unit 6 Point Load Weight



Size (Tons)	Model	Weight (lbs.)		Center of Gravity		4 Point Load Location (lbs.)				6 Point Load Location (lbs.)					
		Shipping	Operating	X	Y	A	B	C	D	A	B	C	D	E	F
078 (6.5)	ZF	865	860	38	24	200	149	218	292	140	114	95	138	167	205
090 (7.5)	ZF	885	860	38	24	205	153	223	299	144	117	97	142	171	210
102 (8.5)	ZF	1012	1007	38	24	235	175	255	342	164	134	111	162	195	240
120 (10)	ZF	1065	1060	38	24	247	184	268	360	173	141	117	171	206	253
150 (12.5)	ZF	1258	1253	47	25	251	280	381	341	164	176	190	259	240	223

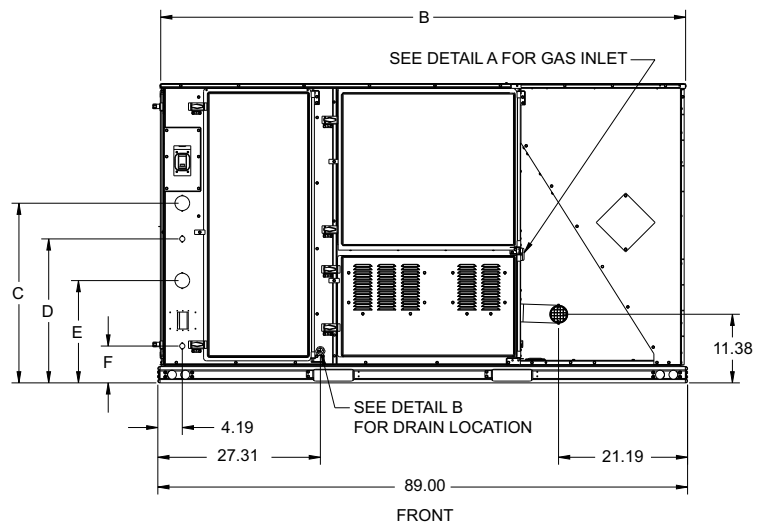
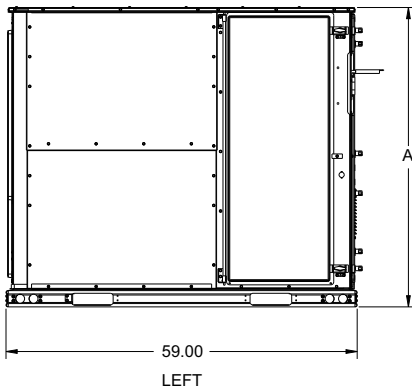
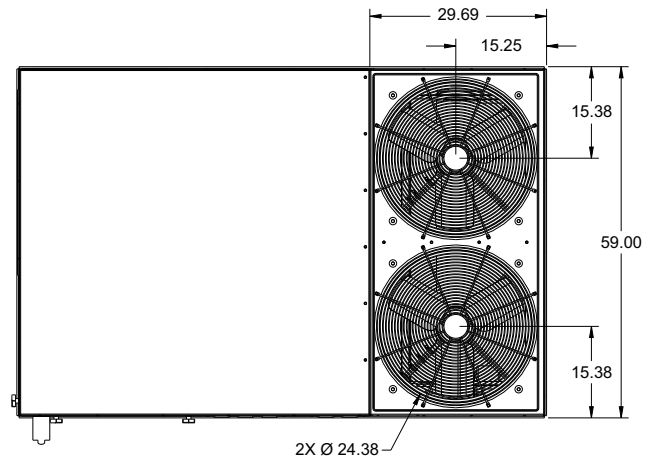
ZF078-150 Unit Accessory Weights

Unit Accessory	Weight (lbs.)	
	Shipping	Operating
Economizer	90	85
Power Exhaust	40	35
Electric Heat ¹	49	49
Gas Heat ²	110	110
Variable Frequency Drive ³	30	30

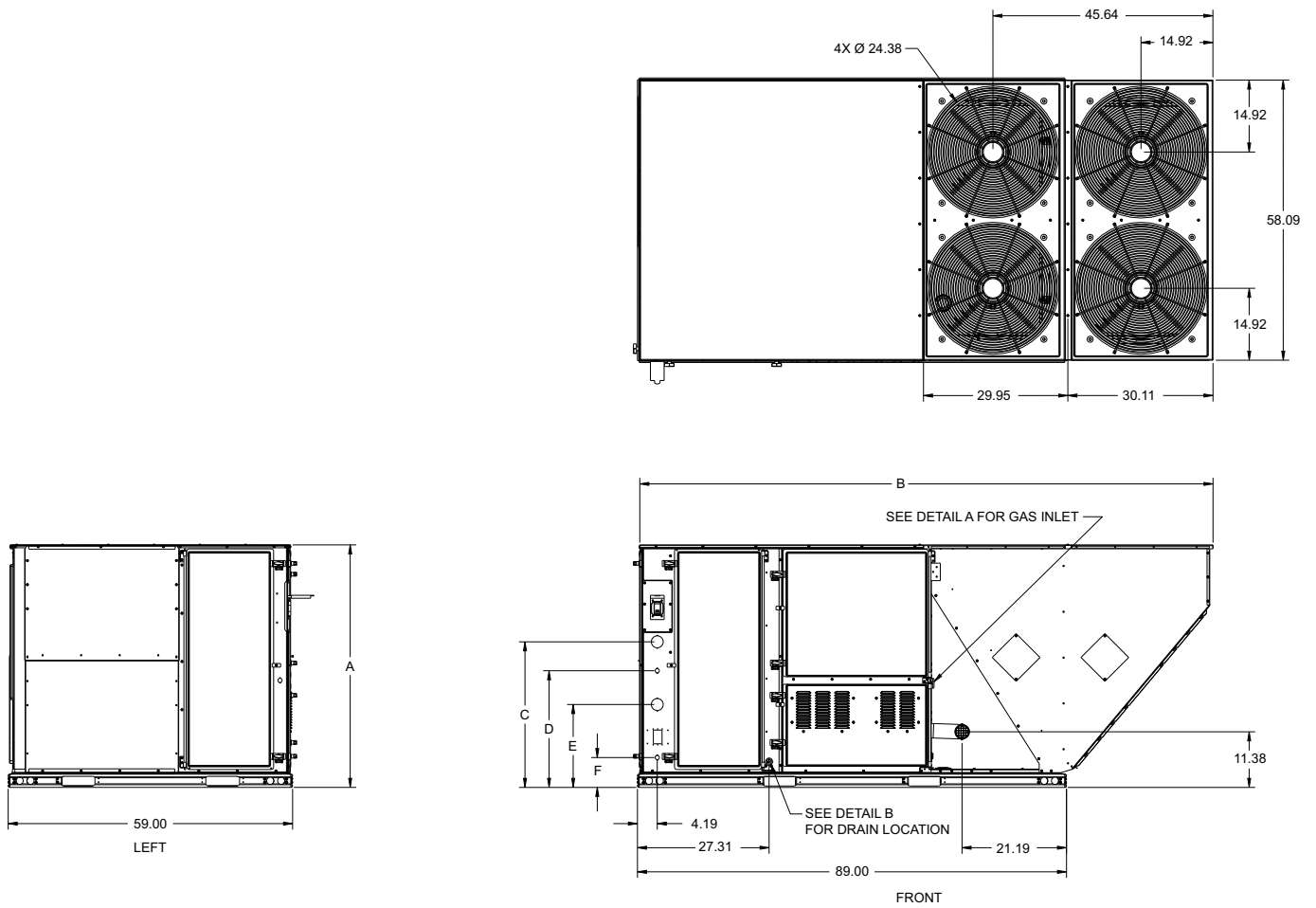
1. Weight given is for the maximum heater size available (54KW).
2. Weight given is for the maximum number of tube heat exchangers available (8 tube).
3. Weight includes mounting hardware, controls and manual bypass option (ZF Only).

ZF078-150 Unit Dimensions

ZF078 - 120



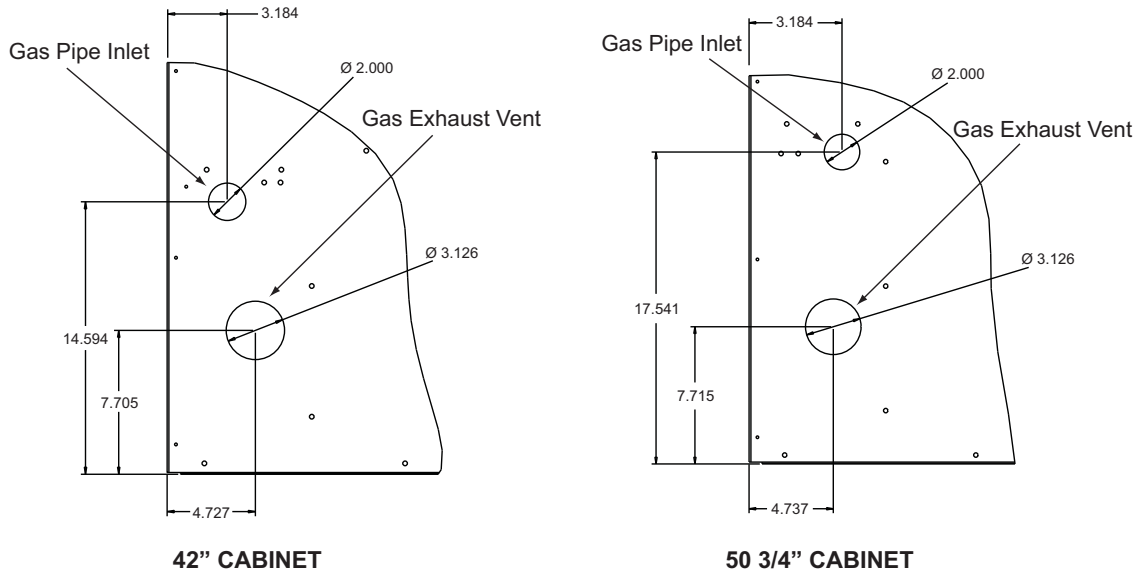
ZF150



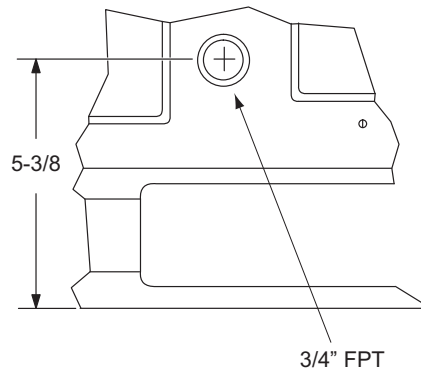
ZF078-150 Unit Physical Dimensions

Unit Model Number	Dimension (in.)					
	A	B	C	D	E	F
078	42	89	22 1/8	18 3/16	15 3/16	6 3/16
090	42	89	22 1/8	18 3/16	15 3/16	6 3/16
102	50 3/4	89	30 3/16	24 3/16	17 3/16	6 3/16
120	50 3/4	89	30 3/16	24 3/16	17 3/16	6 3/16
150	50 3/4	119 1/2	30 3/16	24 3/16	17 3/16	6 3/16

Detail A



Detail B

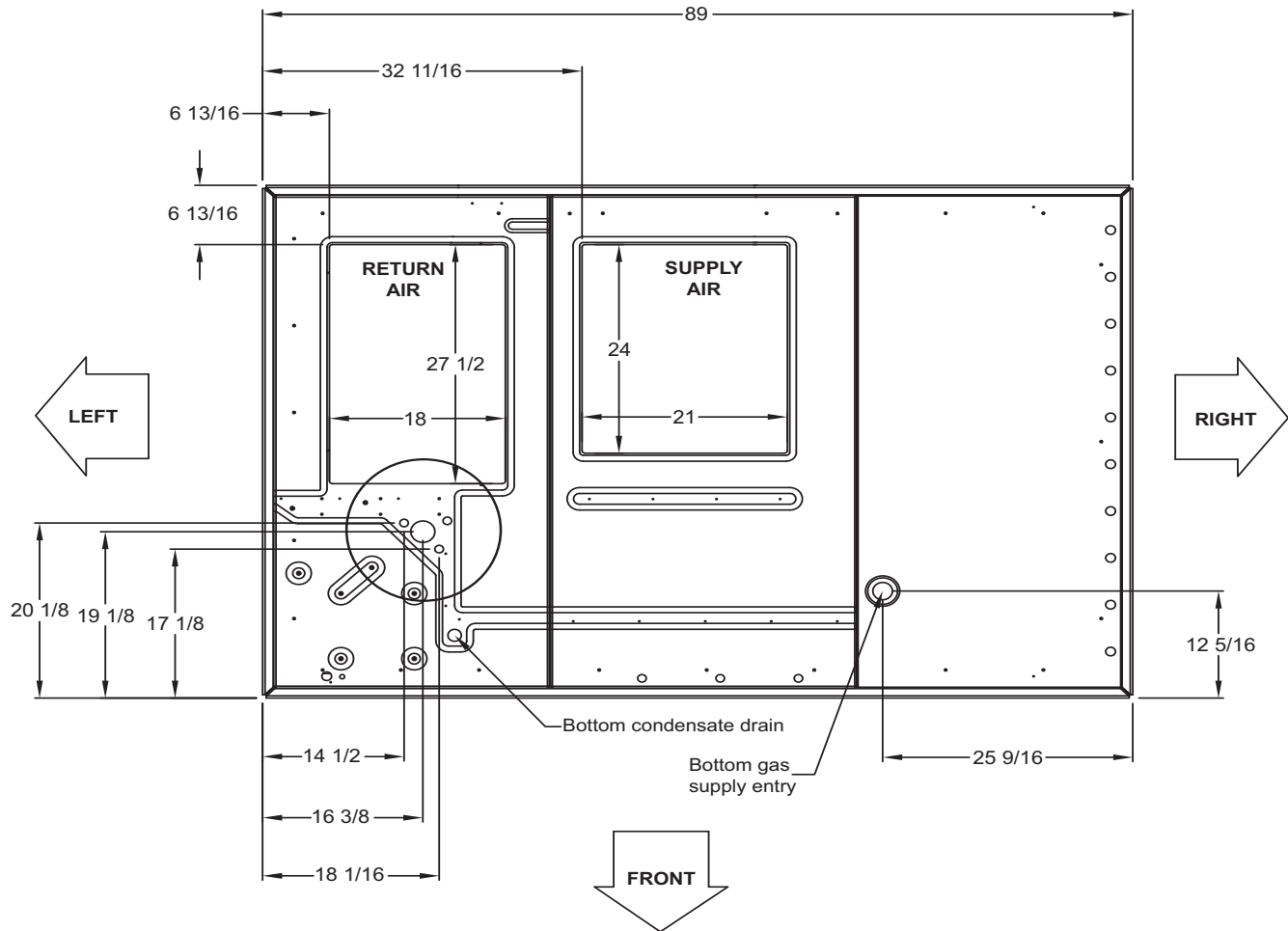


ZF078-150 Unit Clearances

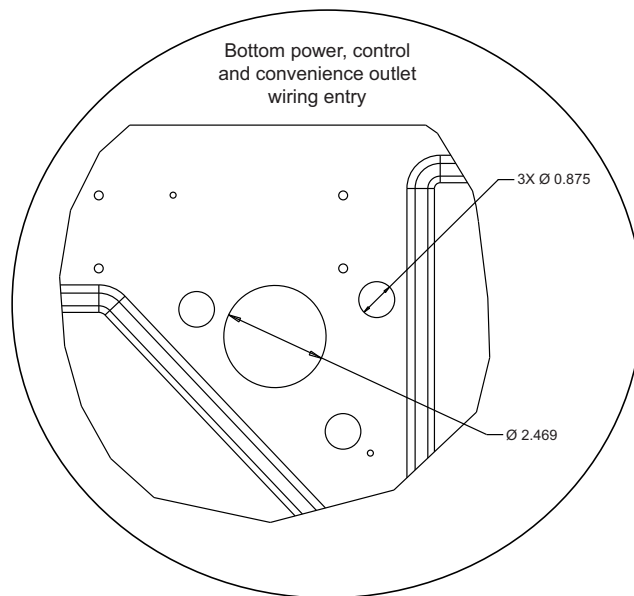
Direction	Distance (in.)	Direction	Distance (in.)
Top ¹	72	Right	12
Front	36	Left	36
Rear	36	Bottom ²	0

1. Units must be installed outdoors. Over hanging structure or shrubs should not obscure condenser air discharge outlet.
2. Units may be installed on combustible floors made from wood or class A, B or C roof covering materials.

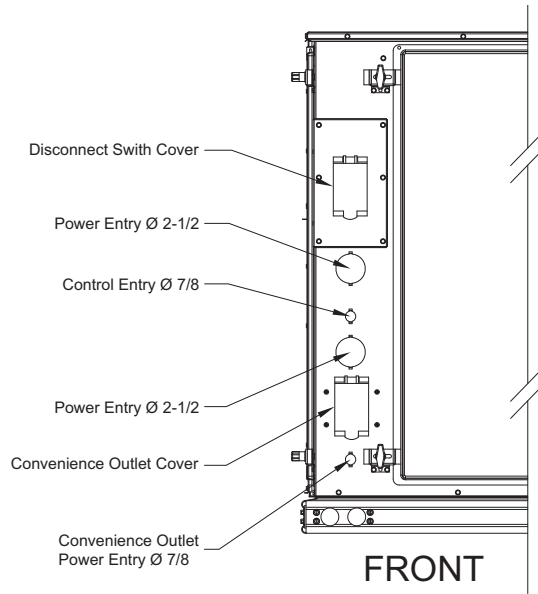
ZF078-150 Unit Bottom Duct Openin



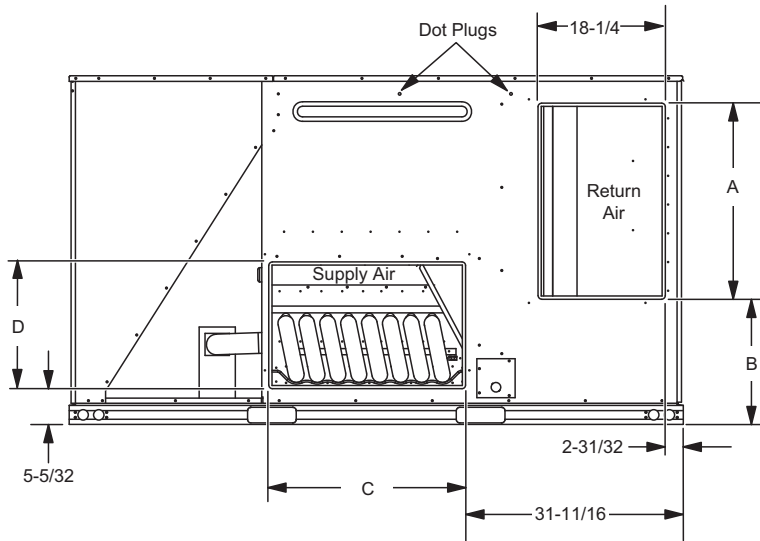
TOP VIEW



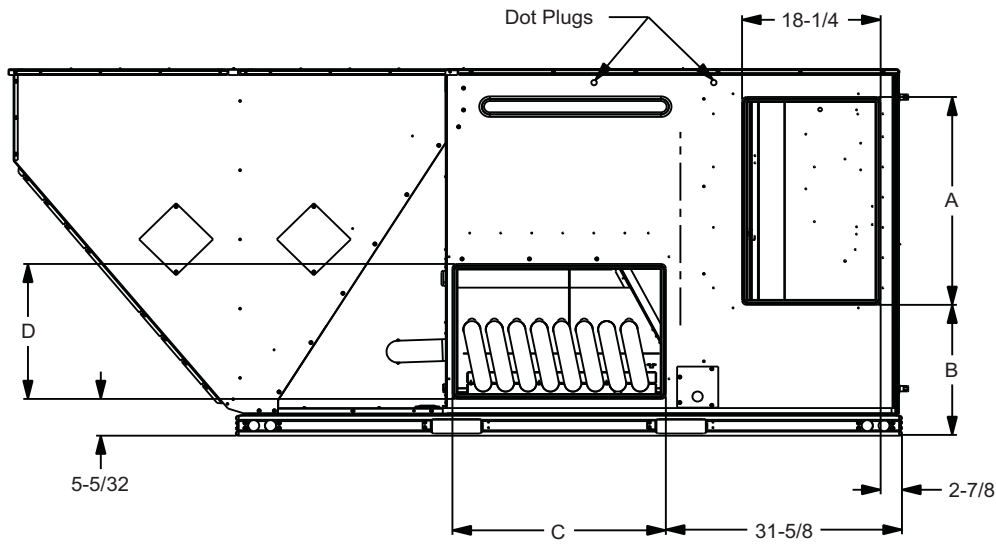
ZF078-150 Unit Electrical Entry



ZF078-120 Unit Side Duct Openings



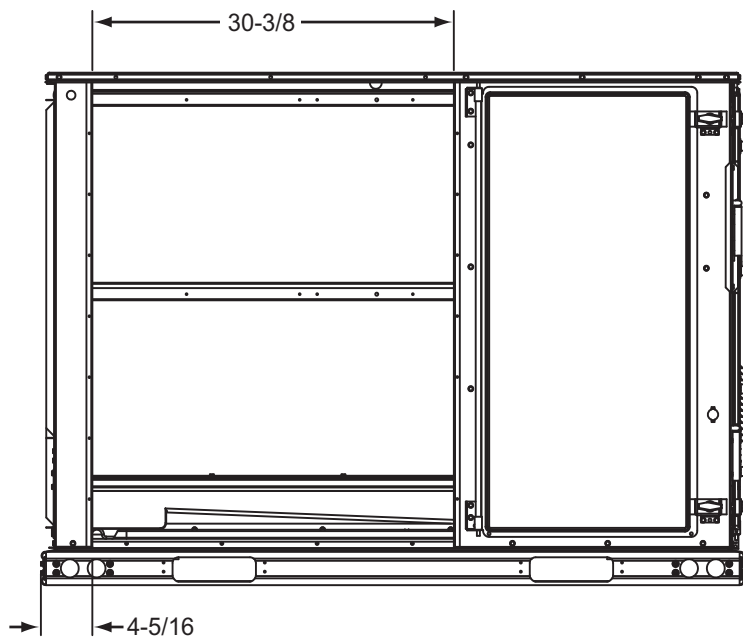
ZF150 Unit Side Duct Openings



ZF Side Duct Dimensions

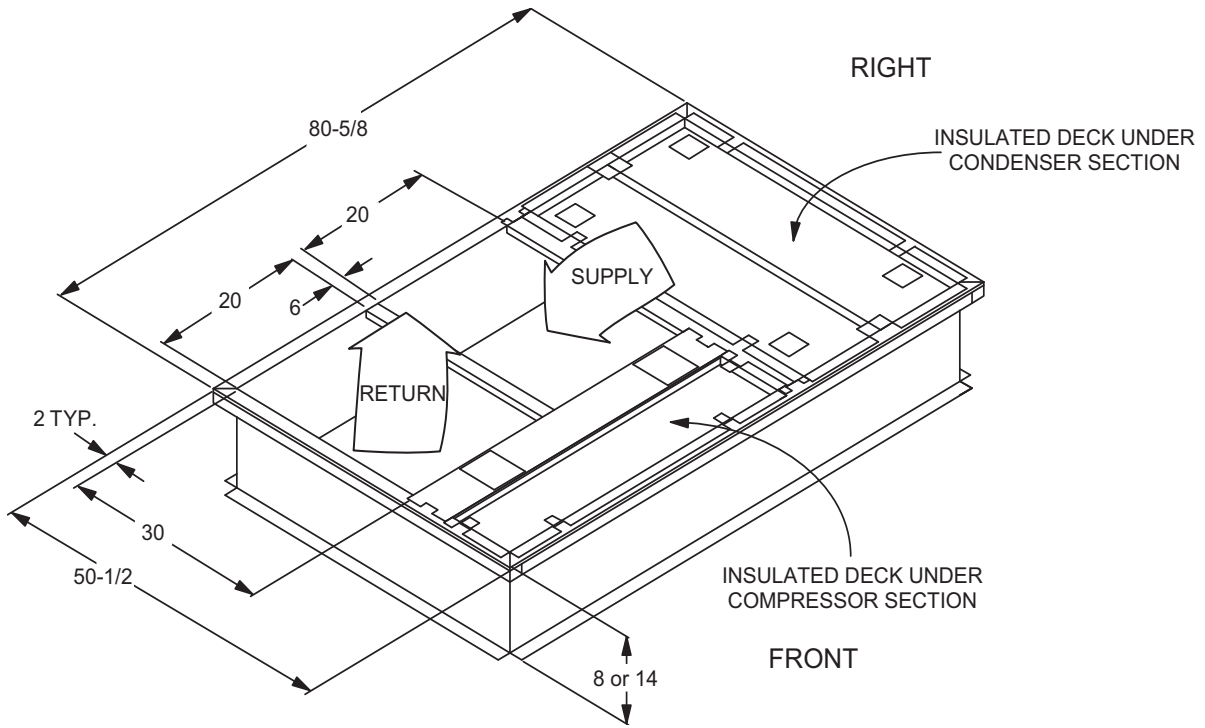
Unit Model Number	Dimension (in.)			
	A	B	C	D
078	27 3/4	12 1/16	27 1/2	16
090	27 3/4	12 1/16	27 1/2	16
102	28 1/4	18 1/16	28 1/4	18 1/4
120	28 1/4	18 1/16	28 1/4	18 1/4
150	28 1/4	18 1/16	28 1/4	18 1/4

ZF078-150 Unit Left Duct Opening

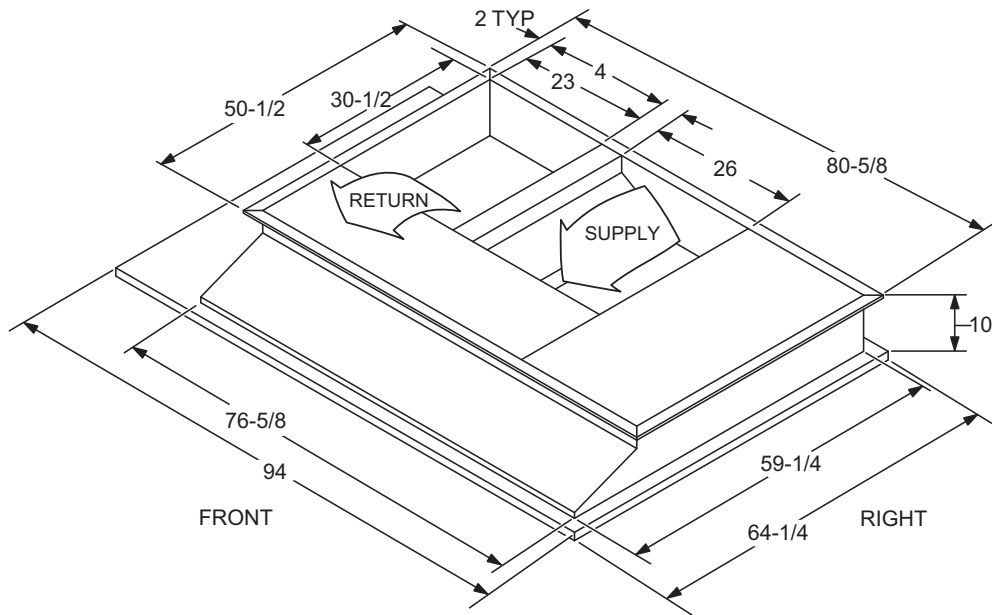


ZF078-150 Unit Accessory Dimensions

ZF078-150 Roof Curb



ZF078-150 Transition Roof Curb



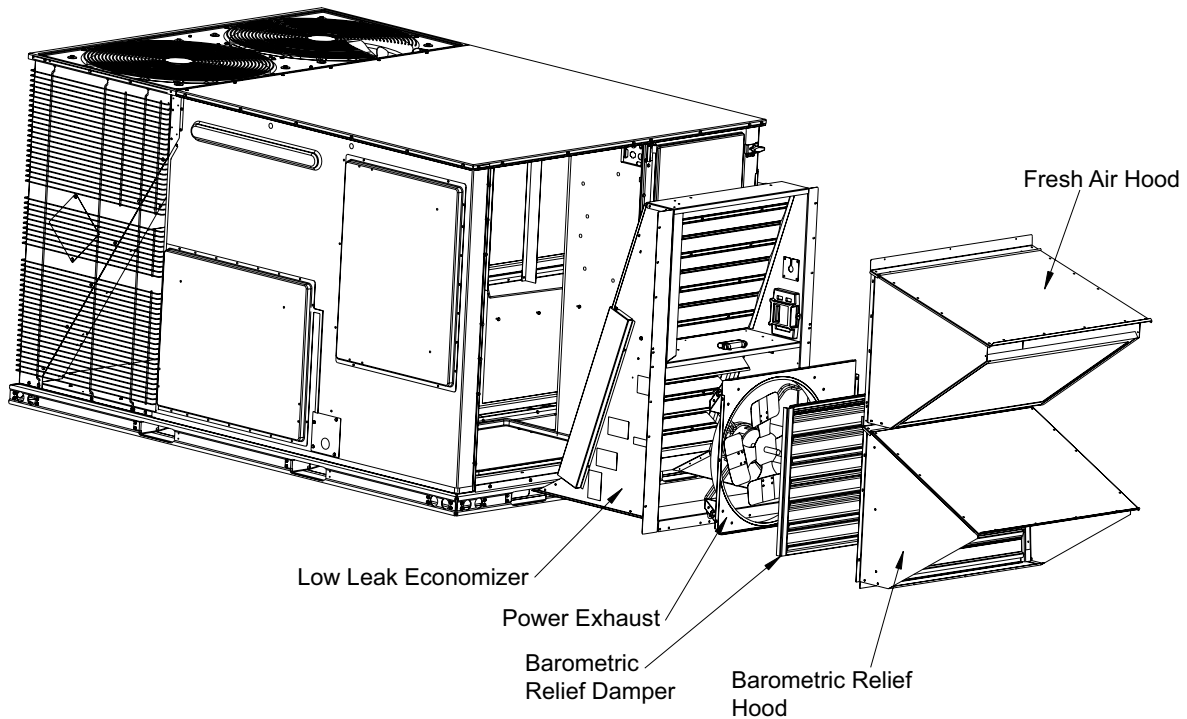
Economizer Options

Economizer Usage

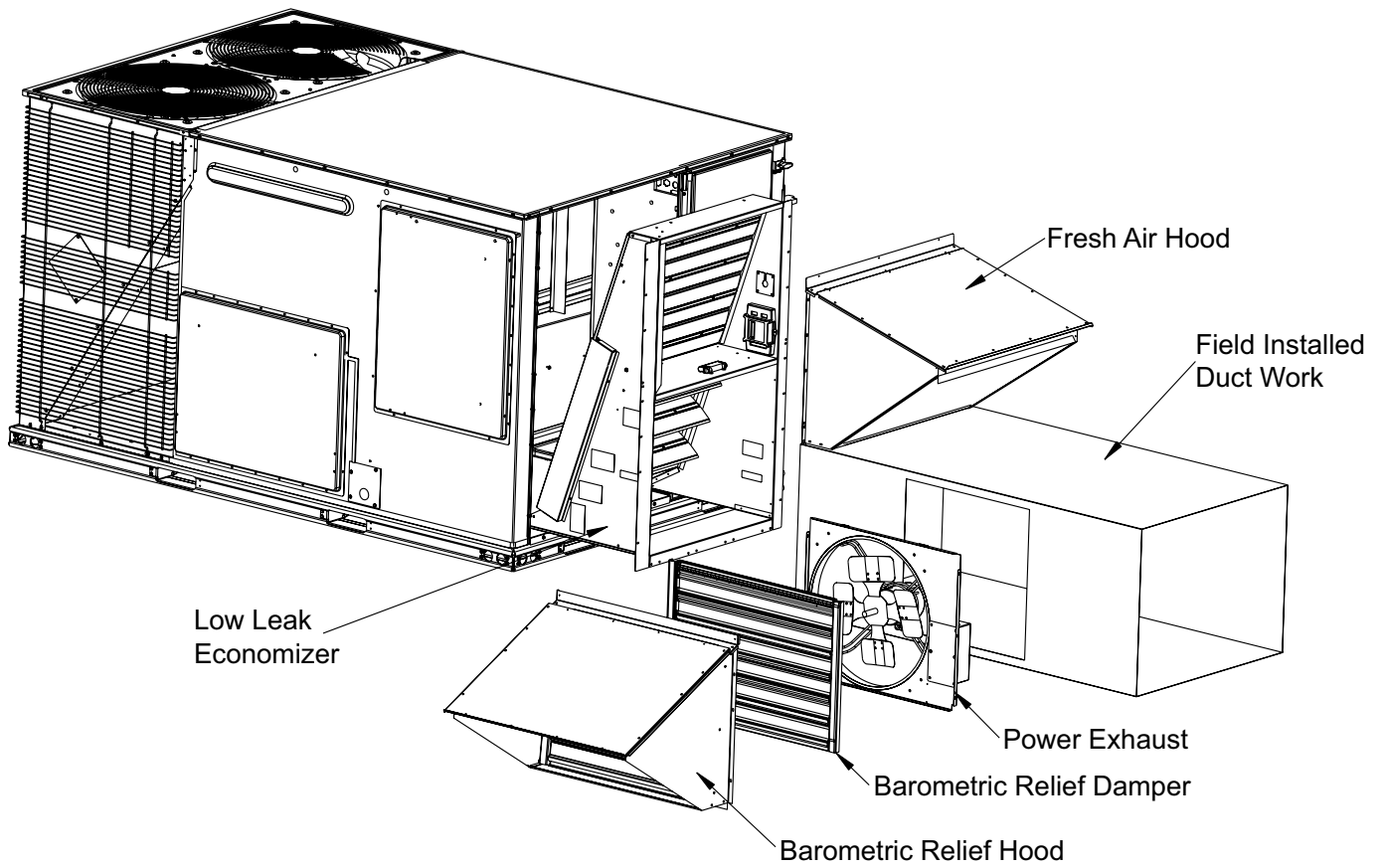
Application	Cabinet Height	Description	Model
Side Return	All	Horizontal economizer without barometric relief	2EE04706924 ¹
Downflow, End Return	42"	Economizer, 42" tall cabinet	2EE04707424 ²
Horizontal or ERV	50"	Economizer, 50" tall cabinet	2EE04707624 ²

1. Barometric relief must be ordered separately and installed in duct work.
2. Includes fresh air hood, exhaust hood and barometric relief.

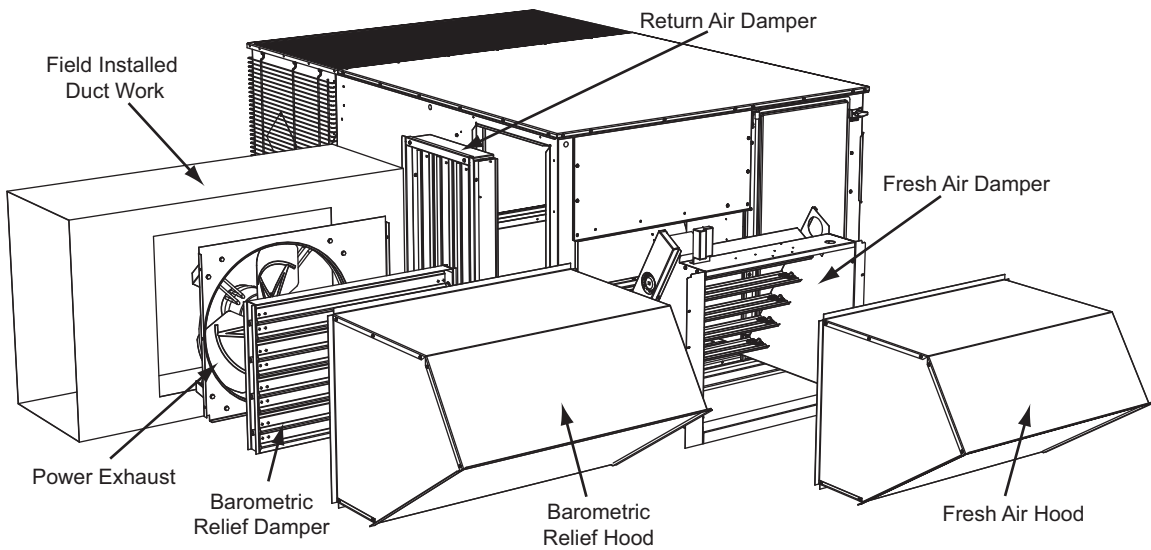
Economizer Downflow W/Power Exhaust



Economizer End Return W/Power Exhaust



Field Installed Horizontal Economizer W/Power Exhaust



Subject to change without notice. Printed in U.S.A.
Copyright © 2016 by Johnson Controls, Inc. All rights reserved.

5167798-YTG-C-0216
Supersedes: 5167798-YTG-B-1215

York International Corporation
5005 York Drive
Norman, OK 73069